



250/340/430 Right Side Discharge

## Parts Manual

Revision 2023-09-21

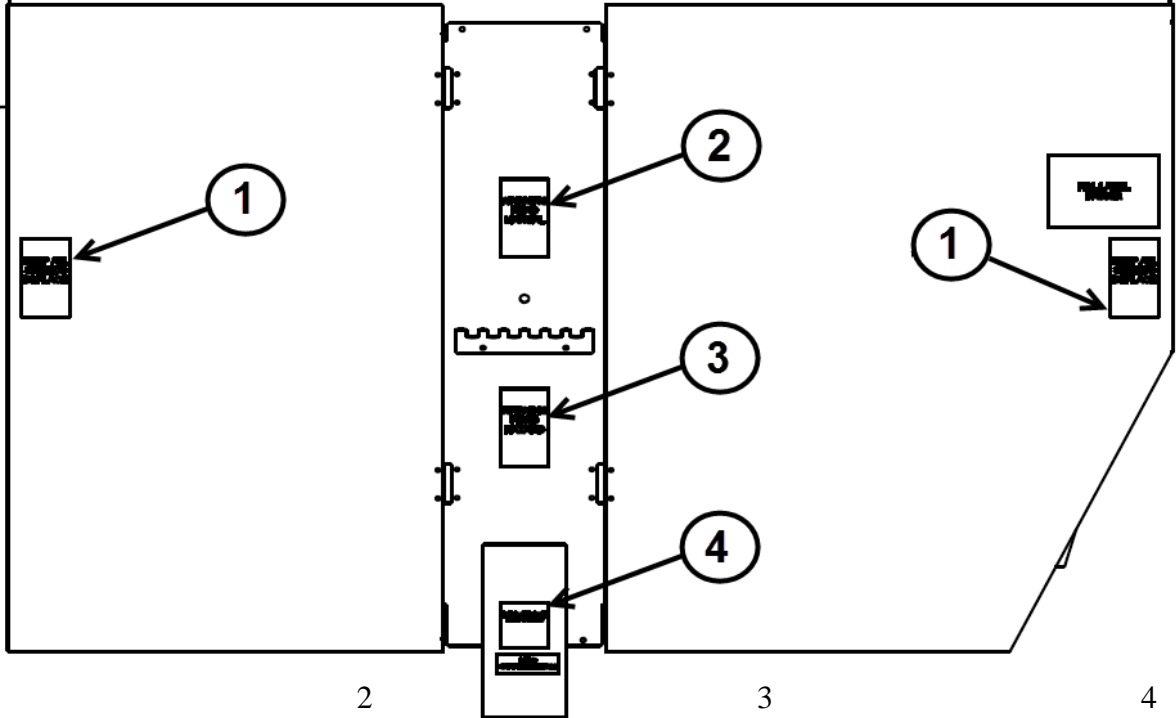


# Table Of Contents

| Page | Content  |
|------|--|
| 1    | SAFETY LABELS, FRONT                               |
| 2    | SAFETY LABELS, INSIDE OF DOOR/SHIELDS              |
| 3    | SAFETY LABELS, DISCHARGE SIDE                      |
| 4    | SAFETY LABELS, REAR                                |
| 5    | SAFETY LABELS, NON-DISCHARGE SIDE                  |
| 6    | EXTERNAL FRONT ILLUSTRATION                        |
| 7    | EXTERNAL FRONT                                     |
| 8    | PTO  |
| 9    | PTO DRIVE LINE                                     |
| 10   | SCALE SUPPORT ASSEMBLY                             |
| 11   | BOTTOM FRONT PTO DRIVE ASSEMBLY                    |
| 12   | FRONT SPEED REDUCTION & TUMBLER DRIVE ILLUSTRATION |
| 13   | FRONT SPEED REDUCTION & TUMBLER DRIVE              |
| 14   | AUGER & ELEVATOR DRIVE ILLUSTRATION                |
| 15   | AUGER & ELEVATOR DRIVE                             |
| 16   | ELEVATOR PARTS ILLUSTRATION                        |
| 17   | ELEVATOR PARTS                                     |
| 18   | 8 BOLT HUB ASSEMBLY FOR 250 & 340                  |
| 19   | COMPLETE HUB ASSEMBLIES FOR 250 & 340              |
| 20   | 10 BOLT HUB ASSEMBLY FOR 430                       |
| 21   | COMPLETE HUB ASSEMBLIES FOR 430                    |
| 22   | TUMBLER REAR DRIVE ILLUSTRATION                    |
| 23   | TUMBLER REAR DRIVE                                 |
| 24   | EXTERNAL PARTS REAR                                |
| 25   | SPIRAL ASSEMBLY                                    |
| 26   | KICKER   |
| 27   | SWEEP KIT  |
| 28   | POLY LINERS  |

**FARM AID LOGO  
FA356**

LEFT HAND DISCHARGE IS ILLUSTRATED. A RIGHT HAND DISCHARGE WOULD BE A MIRROR OF THIS IMAGE.



1  
WARNING  
SHIELDS

2  
WARNING  
READ MANUAL

3  
WARNING  
HIGH PRESSURE

4  
DANGER  
DRIVELINE

**! WARNING**

**KEEP ALL SHIELD IN PLACE. KEEP HANDS AWAY FROM MOVING PARTS TO PREVENT SERIOUS INJURY OR DEATH.**

**! WARNING**

**TO PREVENT SERIOUS INJURY OR DEATH.**

- READ AND UNDERSTAND OPERATOR'S MANUAL BEFORE USING. REVIEW ALL SAFETY PRECAUTIONS ANNUALLY.
- PLACE ALL CONTROLS IN NEUTRAL, STOP TRACTOR ENGINE, SET PARK BRAKE AND WAIT FOR ALL MOVING PARTS TO STOP BEFORE SERVICING, ADJUSTING, REPAIRING OR UNPLUGGING IMPLEMENT.
- DO NOT ALLOW RIDERS.
- SECURELY ATTACH TO TOWING UNIT USING A HARDENED PIN WITH A RETAINER AND AN AUXILIARY ATTACHING DEVICE.
- BE SURE ALL GUARD AND LOCKS ARE IN PLACE BEFORE STARTING.
- KEEP HANDS, FEET, HAIR AND CLOTHING AWAY FROM MOVING PARTS.
- BE SURE REFLECTORS AND SMV ARE VISIBLE BEFORE TRANSPORTING.
- DO NOT EXCEED A SAFE TRANSPORT SPEED.
- USE HAZARD FLASHERS ON TRACTOR WHEN TRANSPORTING.
- WHEN REPAIRING OR SERVICING IMPLEMENT, REFER TO OPERATOR'S MANUAL.

**! WARNING**

**HIGH PRESSURE**

**FLUID HAZARD**

**TO PREVENT SERIOUS INJURY, OR DEATH.**

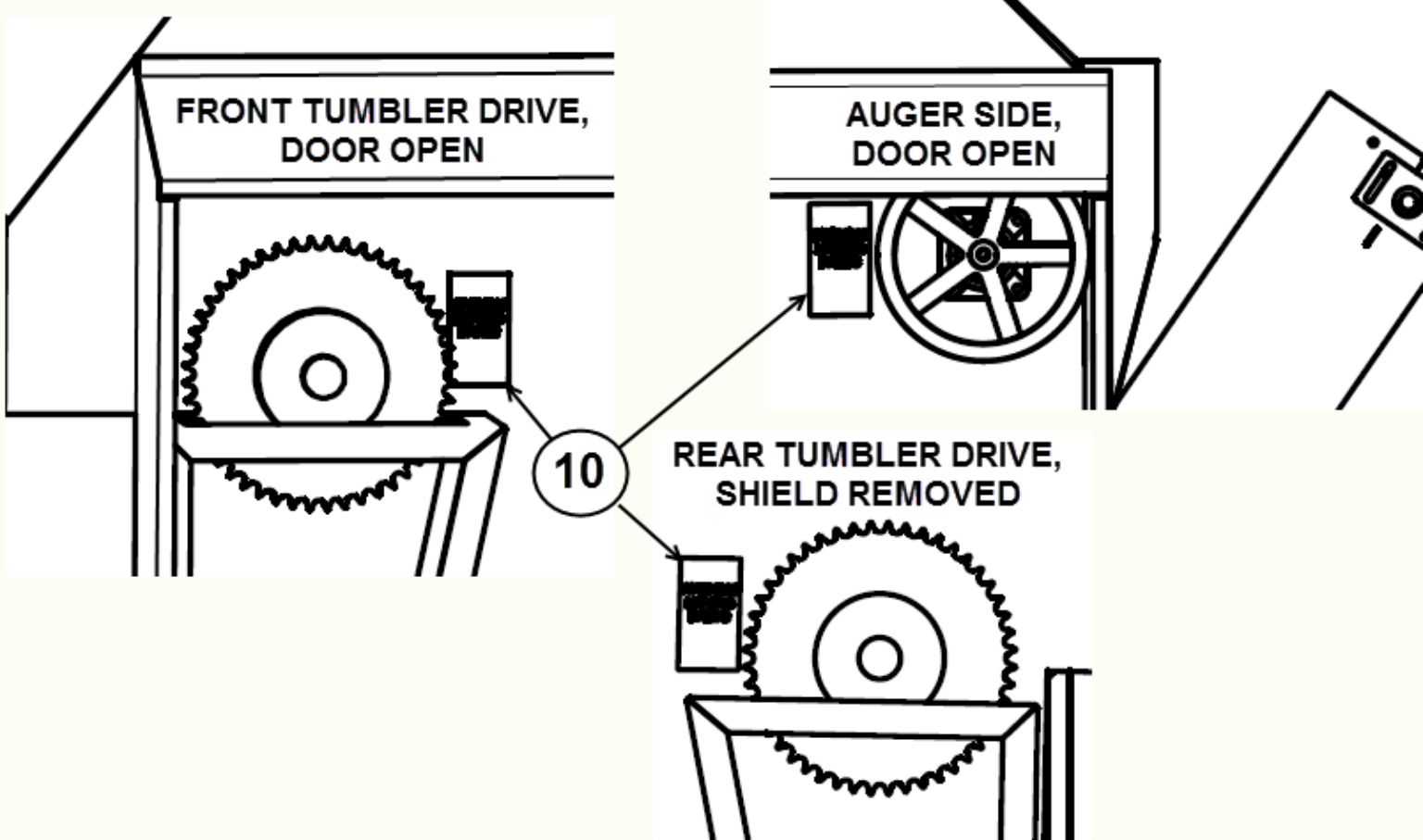
- RELIEVE PRESSURE ON HYDRAULIC SYSTEM BEFORE SERVICING OR DISCONNECTING HOSES.
- WEAR PROPER HAND AND EYE PROTECTION WHEN SEARCHING FOR LEAKS.
- USE WOOD OR CARDBOARD INSTEAD OF HANDS.
- KEEP ALL COMPONENTS IN GOOD REPAIR.

**! DANGER**

**ROTATING DRIVELINE HAZARD**

**TO PREVENT SERIOUS INJURY OR DEATH FROM ROTATING DRIVELINE.**

- KEEP ALL GUARDS IN PLACE WHEN OPERATING.
- KEEP HANDS, FEET, HAIR, AND CLOTHING AWAY FROM MOVING PARTS.



10  
 WARNING  
 MOVING PARTS

**! WARNING**

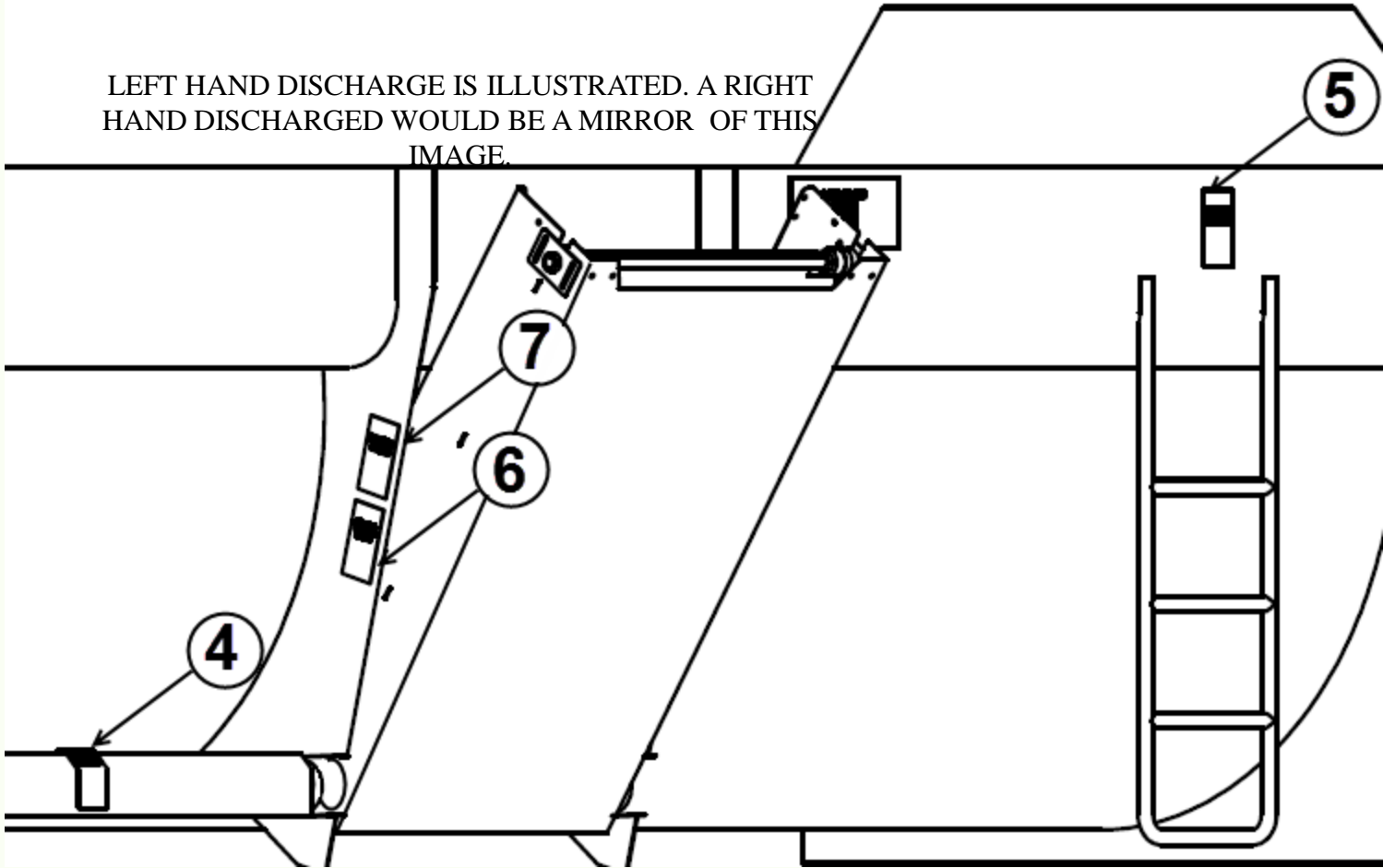
**MOVING PART HAZARD**

**TO PREVENT SERIOUS INJURY, OR DEATH FROM MOVING PARTS:**

- CLOSE AND SECURE GUARDS AND SHIELDS BEFORE STARTING.
- KEEP HANDS, FEET, HAIR, AND CLOTHING AWAY FROM MOVING PARTS.
- DISCONNECT AND LOCKOUT POWER SOURCE BEFORE ADJUSTING OR SERVICING.
- DO NOT STAND OR CLIMB ON MACHINE WHEN OPERATING.

LEFT HAND DISCHARGE IS ILLUSTRATED. A RIGHT HAND DISCHARGE WOULD BE A MIRROR OF THIS IMAGE.

LEFT HAND DISCHARGE IS ILLUSTRATED. A RIGHT HAND DISCHARGE WOULD BE A MIRROR OF THIS IMAGE.



4  
DANGER  
DRIVELINE

5  
DANGER  
AUGER

6  
WARNING  
CRUSHING

7  
DANGER  
CHUTE

**⚠ DANGER**

**ROTATING DRIVELINE HAZARD**

TO PREVENT SERIOUS INJURY OR DEATH FROM ROTATING DRIVELINE.

- KEEP ALL GUARDS IN PLACE WHEN OPERATING.
- KEEP HANDS, FEET, HAIR, AND CLOTHING AWAY FROM MOVING PARTS.

**⚠ DANGER**

**NO ENTRY**

**AUGER ENTANGLEMENT HAZARD**

TO PREVENT SERIOUS INJURY OR DEATH FROM ROTATING PARTS.

- DO NOT ENTER MIXING CHAMBER WHEN TRACTOR IS RUNNING OR WHEN AUGER IS IN MOTION.
- KEEP HANDS AND FEET AWAY FROM MIXING CHAMBER.

**⚠ WARNING**

**CRUSHING OF HAND OR FINGERS**

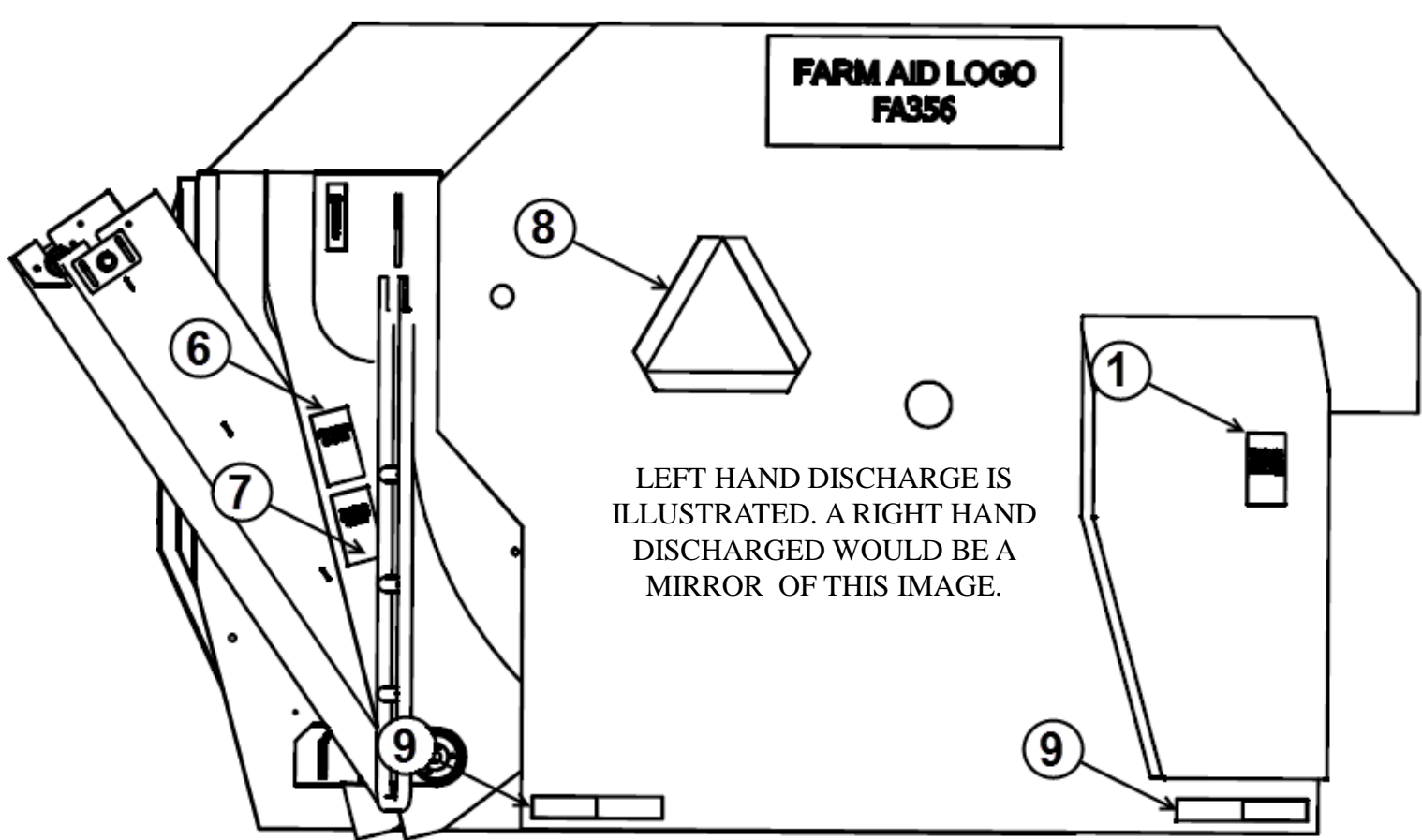
TO PREVENT SERIOUS INJURY, STAY CLEAR OF MOVING PARTS.

**⚠ DANGER**

**STAY CLEAR OF CHUTE AREA!**

CHUTE POSITION AND DISCHARGE CHAIN ARE REMOTELY CONTROLLED AND CAN OPERATE WITHOUT MIXER RUNNING. CHUTE RAISES AND LOWERS RAPIDLY, AND CHAIN STARTS WHEN CHUTE LOWERS.

**FARM AID LOGO  
FA356**



LEFT HAND DISCHARGE IS ILLUSTRATED. A RIGHT HAND DISCHARGE WOULD BE A MIRROR OF THIS IMAGE.

1  
WARNING  
SHIELDS

**! WARNING**

KEEP ALL SHIELD IN PLACE. KEEP HANDS AWAY FROM MOVING PARTS TO PREVENT SERIOUS INJURY OR DEATH.

6  
WARNING  
CRUSHING

**! WARNING**

**CRUSHING OF  
HAND OR FINGERS**

TO PREVENT SERIOUS INJURY, STAY CLEAR OF MOVING PARTS.

7  
DANGER  
CHUTE

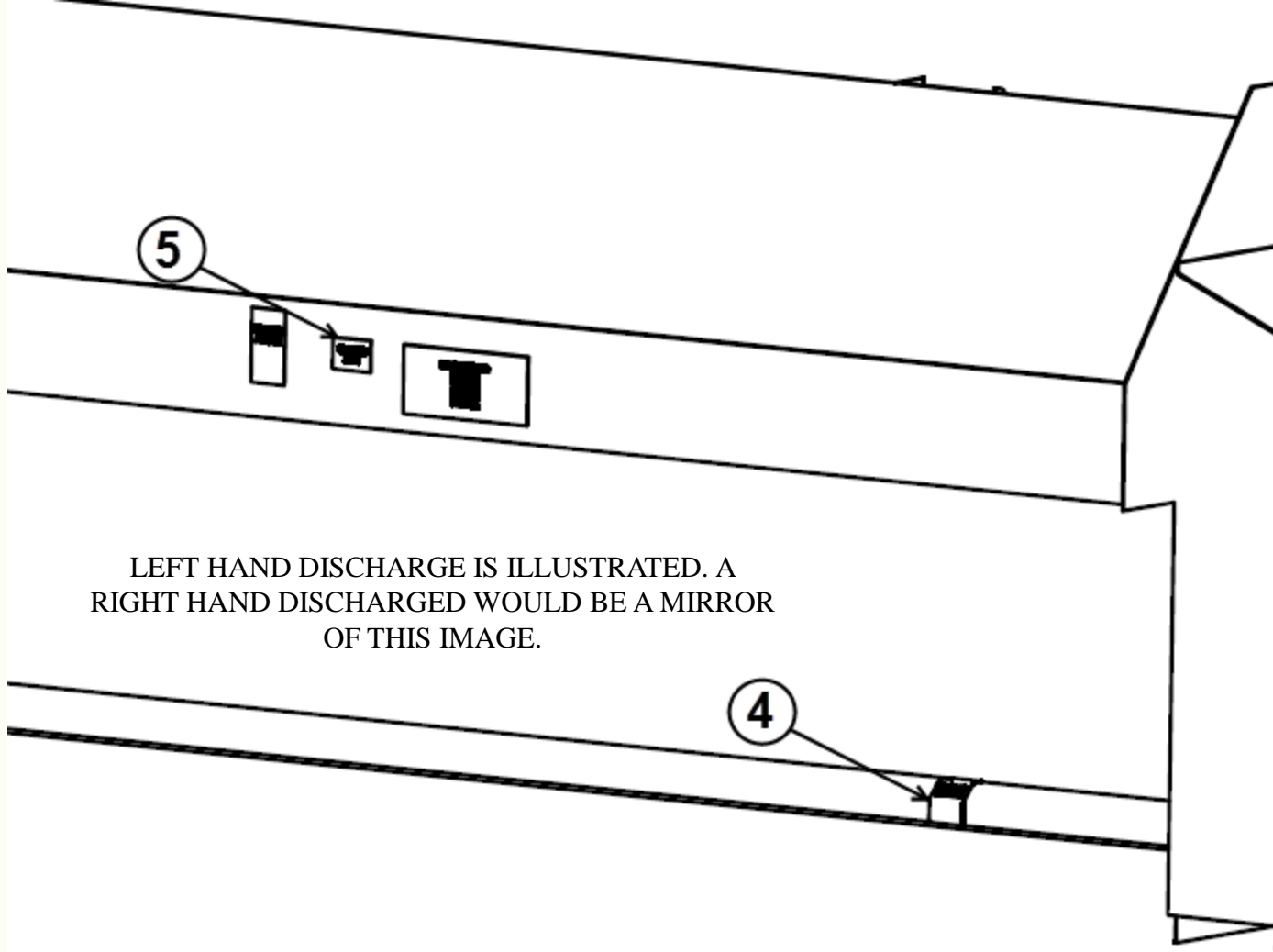
**! DANGER**

**STAY CLEAR OF  
CHUTE AREA!**

CHUTE POSITION AND DISCHARGE CHAIN ARE REMOTELY CONTROLLED AND CAN OPERATE WITHOUT MIXER RUNNING. CHUTE RAISES AND LOWERS RAPIDLY, AND CHAIN STARTS WHEN CHUTE LOWERS.

8  
SLOW MOVING  
VEHICLE LABEL  
P/N FA357

9  
REFLECTIVE LABEL  
P/N FA359



LEFT HAND DISCHARGE IS ILLUSTRATED. A RIGHT HAND DISCHARGE WOULD BE A MIRROR OF THIS IMAGE.

4  
DANGER  
DRIVELINE

5  
DANGER  
AUGER

**! DANGER**

**ROTATING DRIVELINE HAZARD**

TO PREVENT SERIOUS INJURY OR DEATH FROM ROTATING DRIVELINE.

- KEEP ALL GUARDS IN PLACE WHEN OPERATING.
- KEEP HANDS, FEET, HAIR, AND CLOTHING AWAY FROM MOVING PARTS.

**! DANGER**

**NO ENTRY**

**AUGER ENTANGLEMENT HAZARD**

TO PREVENT SERIOUS INJURY OR DEATH FROM ROTATING PARTS.

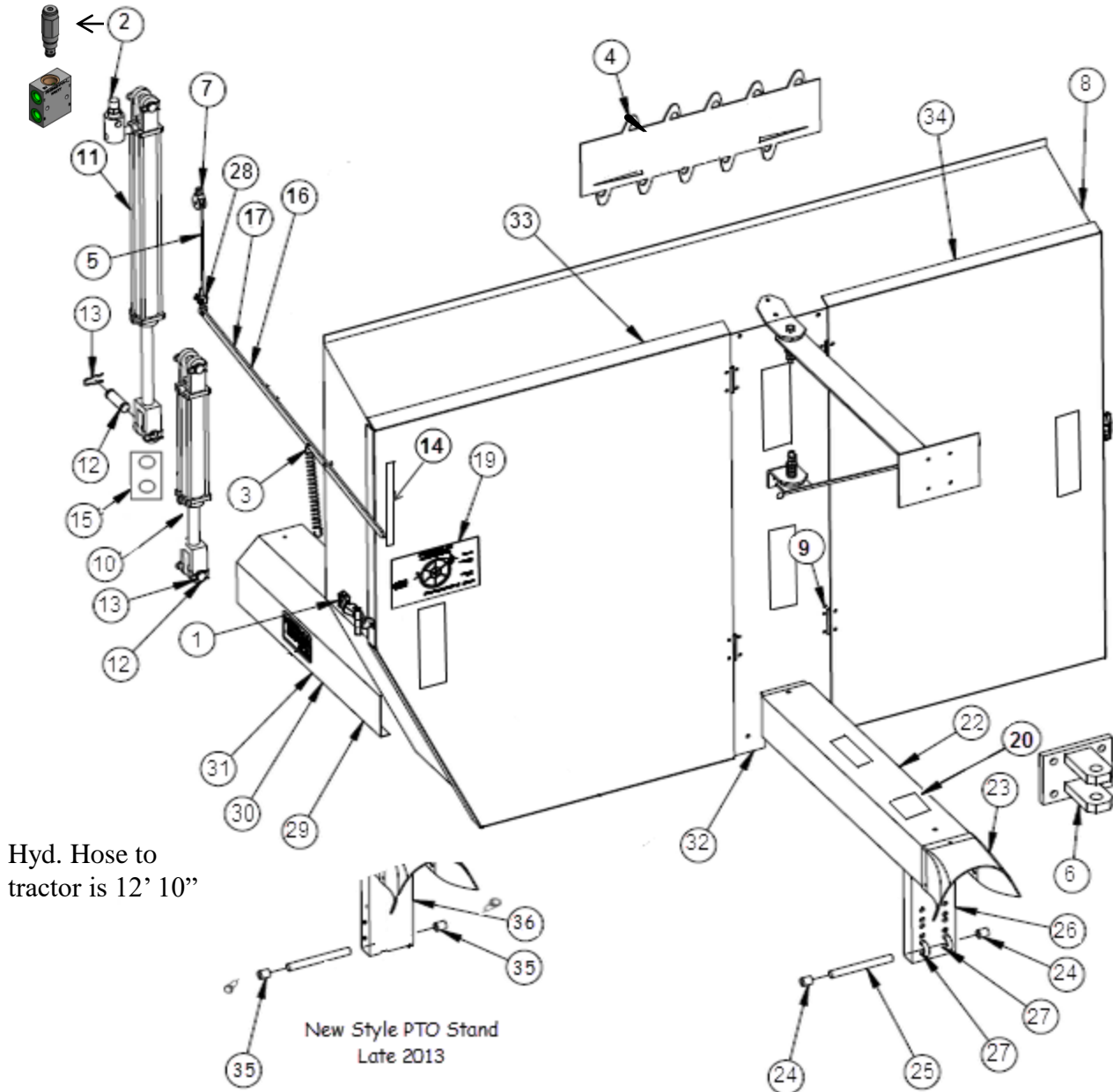
- DO NOT ENTER MIXING CHAMBER WHEN TRACTOR IS RUNNING OR WHEN AUGER IS IN MOTION.
- KEEP HANDS AND FEET AWAY FROM MIXING CHAMBER.





RIGHT SIDE DISCHARGE

NOTE: ALL SAFETY LABELS ARE SHOWN ON PAGES 1-5



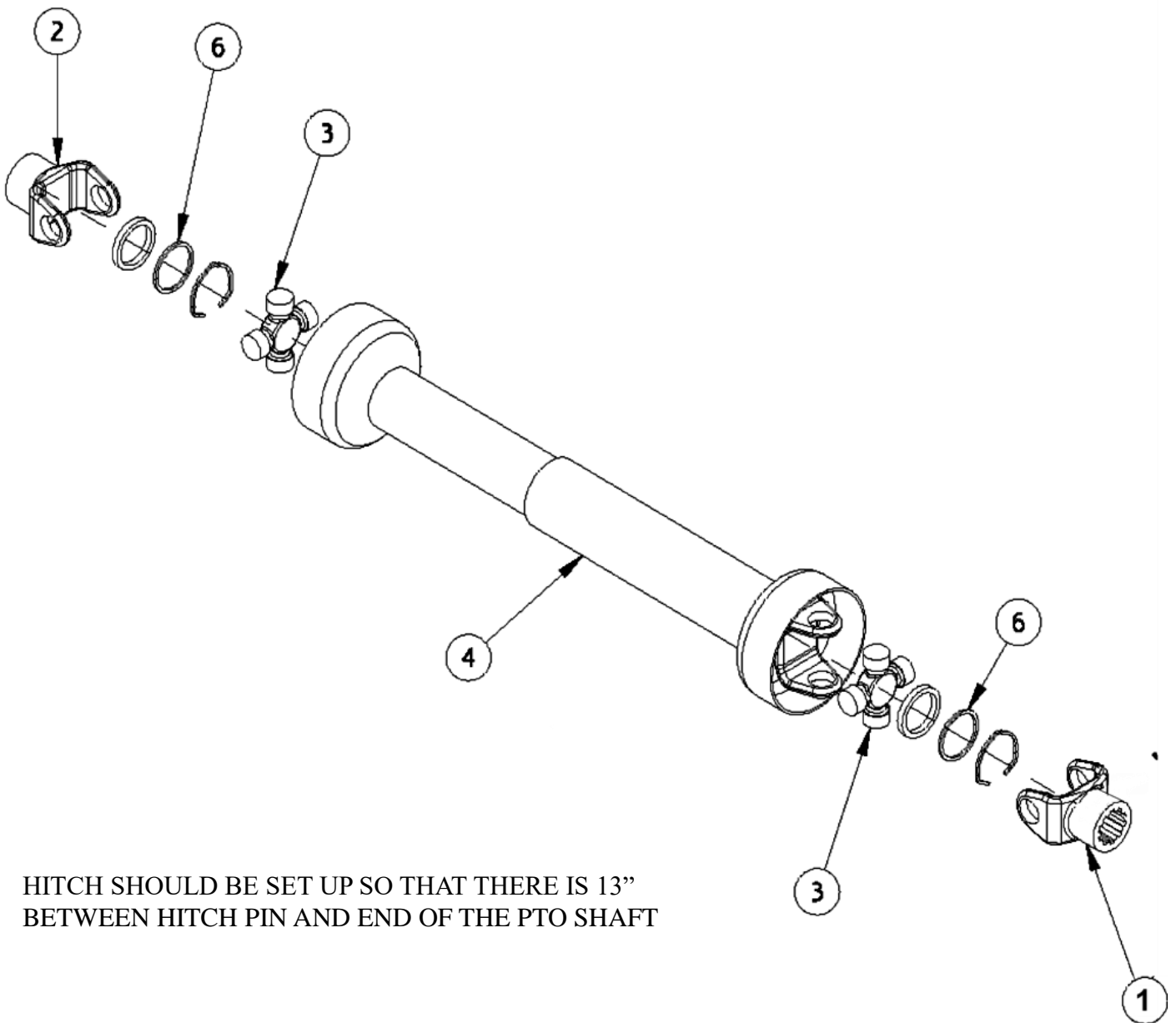
Hyd. Hose to tractor is 12' 10"

New Style PTO Stand  
Late 2013

**Not Shown:**

- FA 64 JACK , TOP WIND, 2,000#**
- FA 64A JACK , SIDE WIND, 2,000#**
- FAC604S JACK, SIDE WIND, 4,000# TALL**
- FA753 BUNK GUARD FOR 430**
- FA752 BUNK GUARD FOR 340**
- FA356K DECAL KIT**
- FA175 Hyd. Hose Bracket**

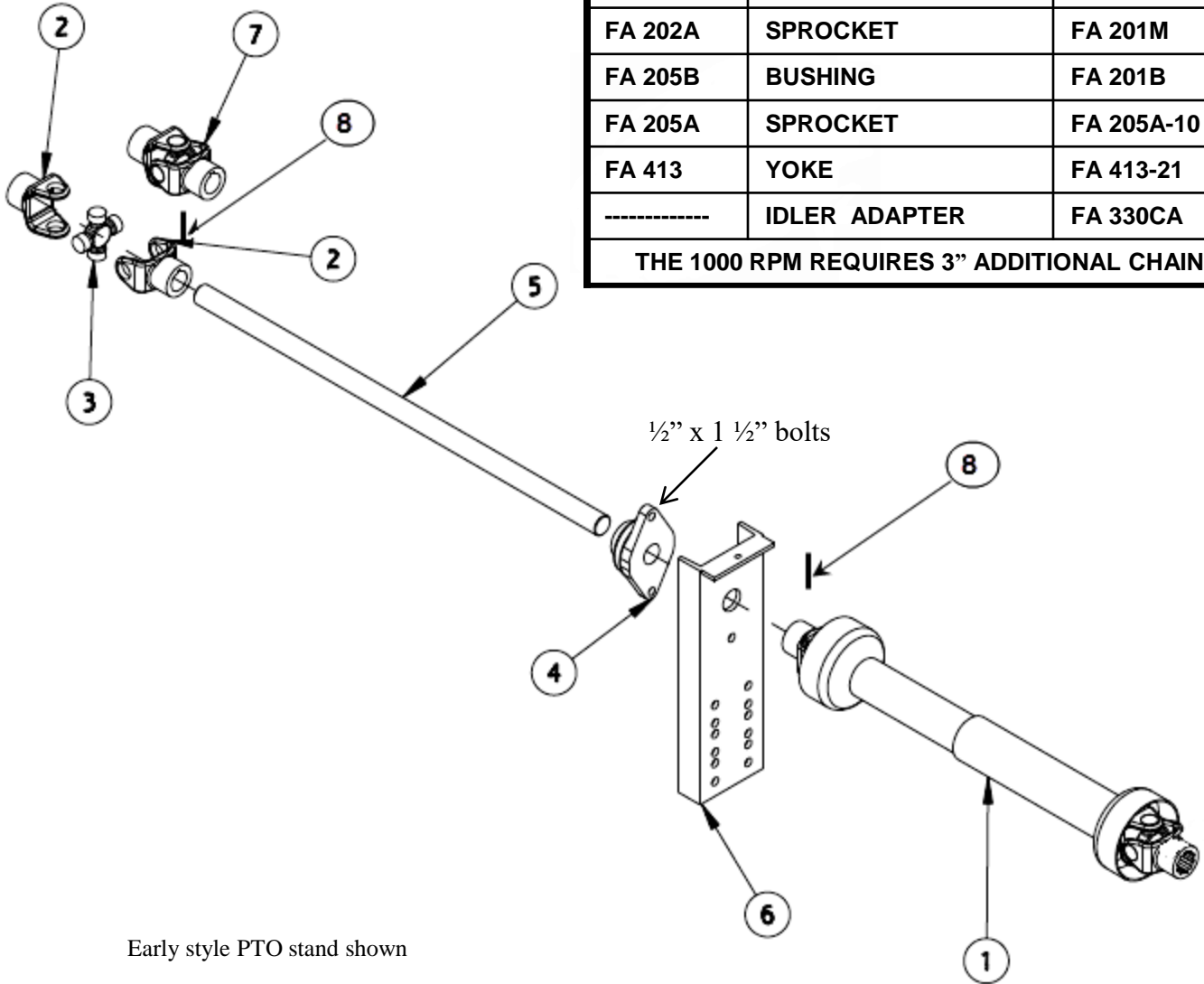
| ITEM | P/N         | DESCRIPTION   |
|------|-------------|---|
| 1    | FA 001      | SHIED TIE, COMPLETE (FA002 - RUBBER TIE ONLY)                                   |
| 2    | FA020-ROUND | BYPASS VALVE WITH A STEEL CYLINDRICAL BODY                                      |
| 2    | FA020-VALVE | BYPASS VALVE ONLY FOR VALVES WITH AN ALUMINUM RECTANGULAR BODY                  |
| 3    | FA 277      | SPRING, DOOR INDICATOR  |
| 4    | FA 356      | DECAL, FARM AID EQUIPMENT   |
| 5    | FA 541      | CABLE, INDICATOR BAR; 17.5" TO IDLER; 27.5" RELAY TO ELEVATOR; 50" TO INDICATOR |
| 6    | FA 604      | HITCH; WEAR PLATE ONLY IS FA603; HITCH WITH MOUNTING PLATE IS FA604CU           |
| 7    | FA 800      | PULLEY, INDICATOR BAR   |
| 8    | FA 810      | TOP SHIELD, MODELS 250, 340, & 430 SPECIFY RIGHT OR LEFT DISCHARGE              |
| 9    | FA810H      | HINGE 250/340/430   |
| 10   | FA 20-10    | HYD CYLINDER, 2.00 BORE X 10.0 STROKE   |
| 11   | FA 20-24    | HYD CYLINDER, 2.00 BORE X 24.0 STROKE   |
|      | FA 639572   | CYLINDER SEAL KIT, ALL FARM AID CYLINDERS                                       |
| 12   | FA 352P     | CYLINDER PIN  |
| 13   | FA 352PC    | RETAINER, CYLINDER PIN  |
| 14   | FA 354      | DOOR INDICATOR BAR DECAL  |
| 15   | FA 520      | CYLINDER CONNECTOR  |
| 16   | FA 353-34   | DOOR INDICATOR BAR, MODEL 340   |
| 17   | FA 353-43   | DOOR INDICATOR BAR, MODEL 430   |
| 19   | FA 355R     | DECAL, FILL LEVEL   |
| 20   | L-PTO OPP.  | DECAL, PTO OPERATION  |
| 22   | FA 410S     | GUARD, PTO  |
| 23   | FA 411B     | RUBBER GUARD, PTO   |
| 24   | FA 412B     | BUSHING, HINGED PTO   |
| 25   | FA 412P     | PIVOT SHAFT, HINGED PTO   |
| 26   | FA 412SH    | HINGED PTO STAND, MODELS 250, 340, & 430  |
| 27   | FA 412U     | U-BOLT, HINGED MOUNT  |
| 28   | FA 541C     | CABLE CLAMP   |
| 29   | FA 580-2    | GUARD, ELEVATOR DRIVE, MODEL 250 SPECIFY RIGHT OR LEFT DISCHARGE                |
| 30   | FA 580-3    | GUARD, ELEVATOR DRIVE, MODEL 340 SPECIFY RIGHT OR LEFT DISCHARGE                |
| 31   | FA 580-4    | GUARD, ELEVATOR DRIVE, MODEL 430 SPECIFY RIGHT OR LEFT DISCHARGE                |
| 32   | FA 810C     | DOOR MOUNT PANEL  |
| 33   | FA 810L     | DOOR, ANGLE, SPECIFY RIGHT OR LEFT DISCHARGE                                    |
| 34   | FA 810R     | DOOR, SQUARE, SPECIFY RIGHT OR LEFT DISCHARGE                                   |
| 35   | FA 409B     | 5/8" BUSHING  |
| 36   | FA 409      | 1 PC HINGED PTO STAND   |



HITCH SHOULD BE SET UP SO THAT THERE IS 13”  
BETWEEN HITCH PIN AND END OF THE PTO SHAFT

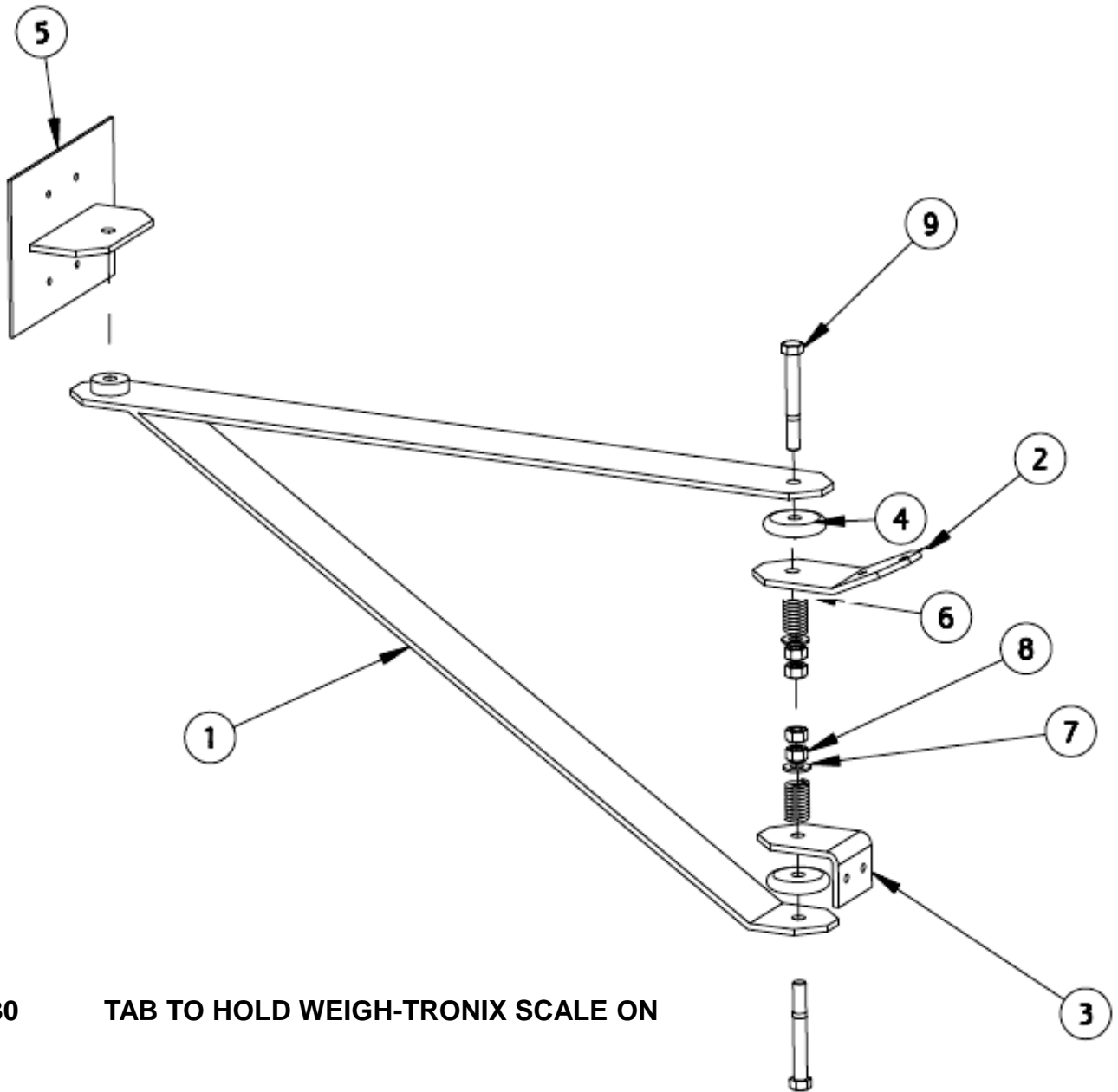
| ITEM | P / N                | DESCRIPTION                          |
|------|----------------------|--------------------------------------|
| 1    | FA 413               | 6 SPLINE, 1-3/8 SNAP BALL TYPE YOKE  |
| 1    | FA 413-21 (1000 RPM) | 21 SPLINE, 1-3/8 SNAP BALL TYPE YOKE |
| 1    | FA 413G              | 6 SPLINE 1-3/8 PIN TYPE YOKE         |
| 1    | FA 417W              | REPAIR KIT FOR SNAP BALL YOKE        |
| 1    | FA 417G              | RAPIIR KIT FOR PIN TYPE YOKE         |
| 2    | FA 414               | 1-1/4 ROUND YOKE, 12 SERIES          |
| 3    | FA 415               | CROSS & BEARING KIT, 12 SERIES       |
| 4    | FA 416W              | BLACK PLASTIC PTO SHIELD             |
| 4    | FA 416G              | ORANGE PLASTIC PTO SHIELD            |
| 6    | FA 416BK             | SHIELD BEARING KIT                   |

| 540 RPM  | DESCRIPTION   | 1000 RPM   |
|--|---------------|------------|
| FA 310   | PULLEY 7"     | FA 307     |
| FA 312   | PULLEY 14"    | FA308      |
| FA 202A  | SPROCKET      | FA 201M    |
| FA 205B  | BUSHING       | FA 201B    |
| FA 205A  | SPROCKET      | FA 205A-10 |
| FA 413   | YOKE          | FA 413-21  |
| -----  | IDLER ADAPTER | FA 330CA   |
| <b>THE 1000 RPM REQUIRES 3" ADDITIONAL CHAIN</b> |               |            |



Early style PTO stand shown

| ITEM | P / N      | DESCRIPTION   |
|------|------------|---|
| 1    | FA 412     | COMPLETE PTO, 12 SERIES X 28"                         |
| 1    | FA412-21   | COMPLETE PTO, 12 SERIES X 28" W / 21 SLINE (1000 RPM) |
| 2    | FA 414     | 1-1/4 ROUND YOKE, 12 SERIES                           |
| 3    | FA 415     | CROSS & BEARING KIT, 12 SERIES                        |
| 4    | FA 101FB-2 | FLANGE BEARING, 2-BOLT, 1-1/4 BORE W/LOCKING COLLAR   |
| 5    | FA 401E    | 1-1/4 X 31-3/4 PTO EXTENSION SHAFT                    |
| 6    | FA 409     | 1 PC HINGED PTO STAND (LATE 2013 NOT SHOWN)           |
| 6    | FA 412SH   | U-BOLT HINGED PTO STAND (SHOWN)                       |
| 7    | FA 414D    | COMPLETE DOUBLE YOKE                                  |
| 8    | FA412RP    | ROLL PIN 1/4" x 2"                                    |
|      | FA 412 KEY | 1/4" X 1 1/4" KEY                                     |

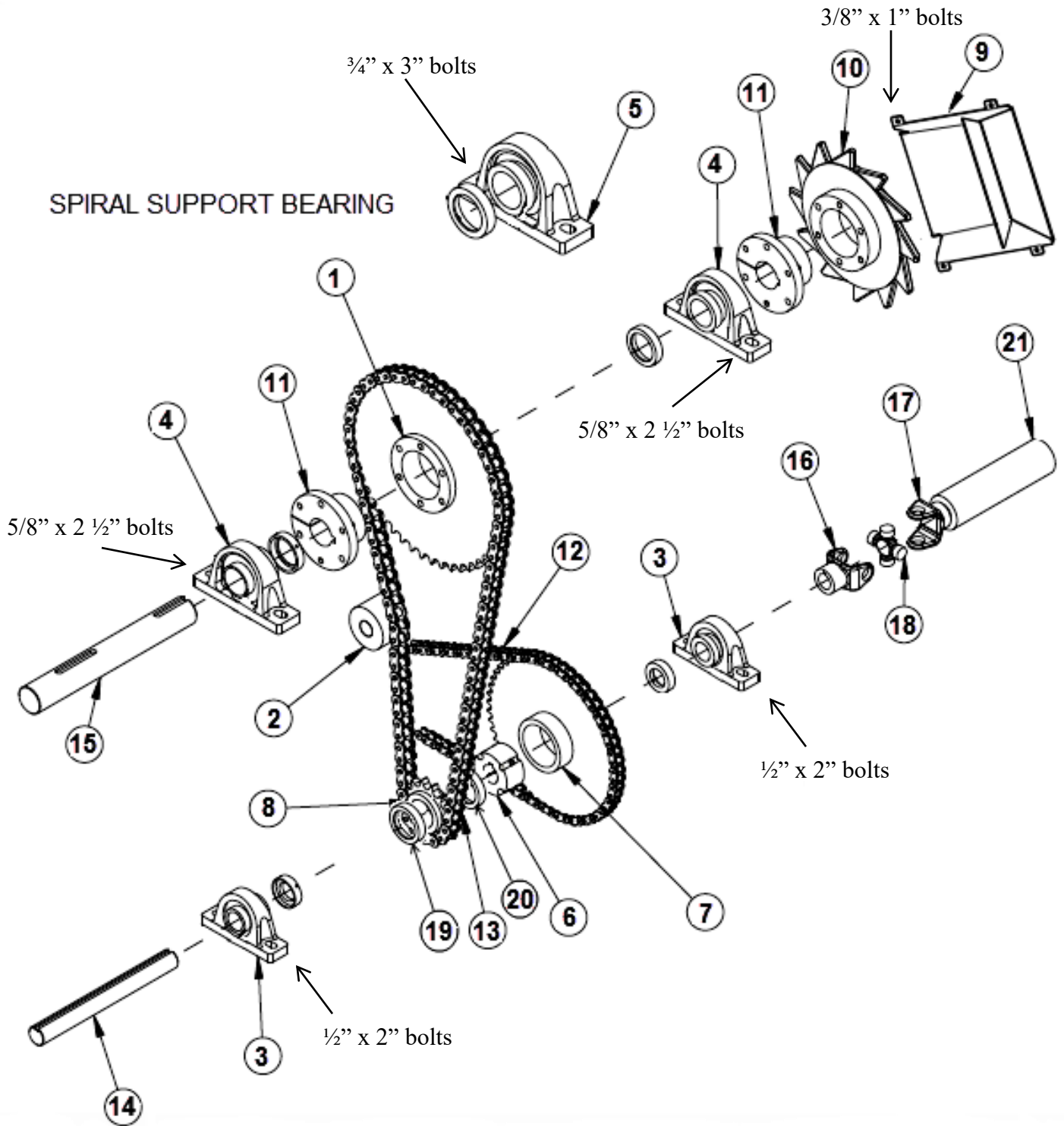


FA130 TAB TO HOLD WEIGH-TRONIX SCALE ON

| ITEM | PART NUMBER | DESCRIPTION               |
|------|-------------|---------------------------|
| 1    | FA-130 SIB  | SCALE SUPPORT             |
| 2    | FA-133      | SUPPORT BRACKET, UPPER    |
| 3    | FA-134      | SUPPORT BRACKET, LOWER    |
| 4    | FA-135      | SHOCK ABSORBER            |
| 5    | FA-130B     | SCALE MOUNT BRACKET       |
| 6    | FA-131S     | COMPRESSION SPRING        |
| 7    |             | FLAT WASHER, 1/2 TYPE A   |
| 8    |             | HEX NUT, 1/2              |
| 9    |             | HEX HD SCREW, 1/2 X 3 1/2 |



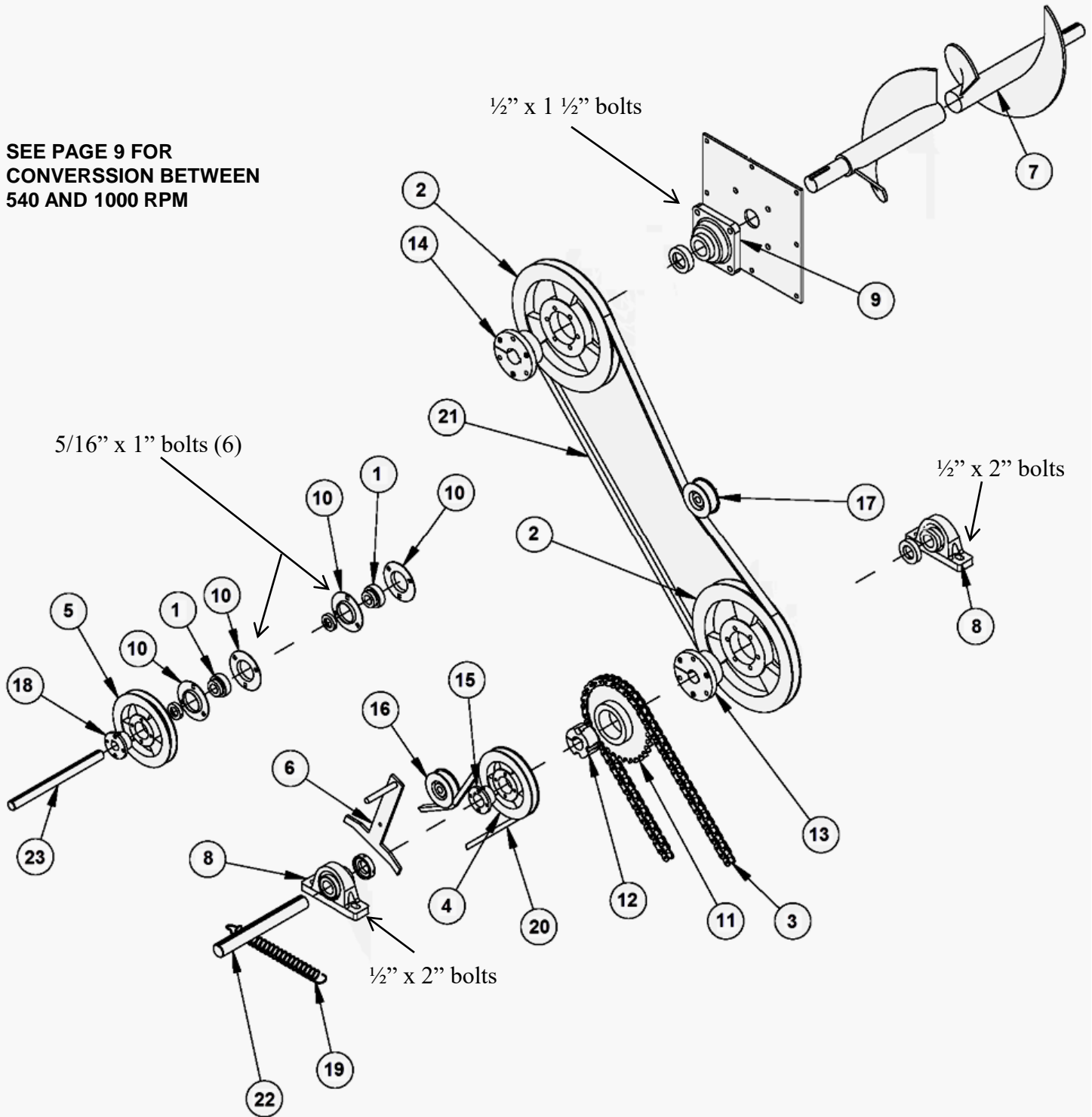
RIGHT



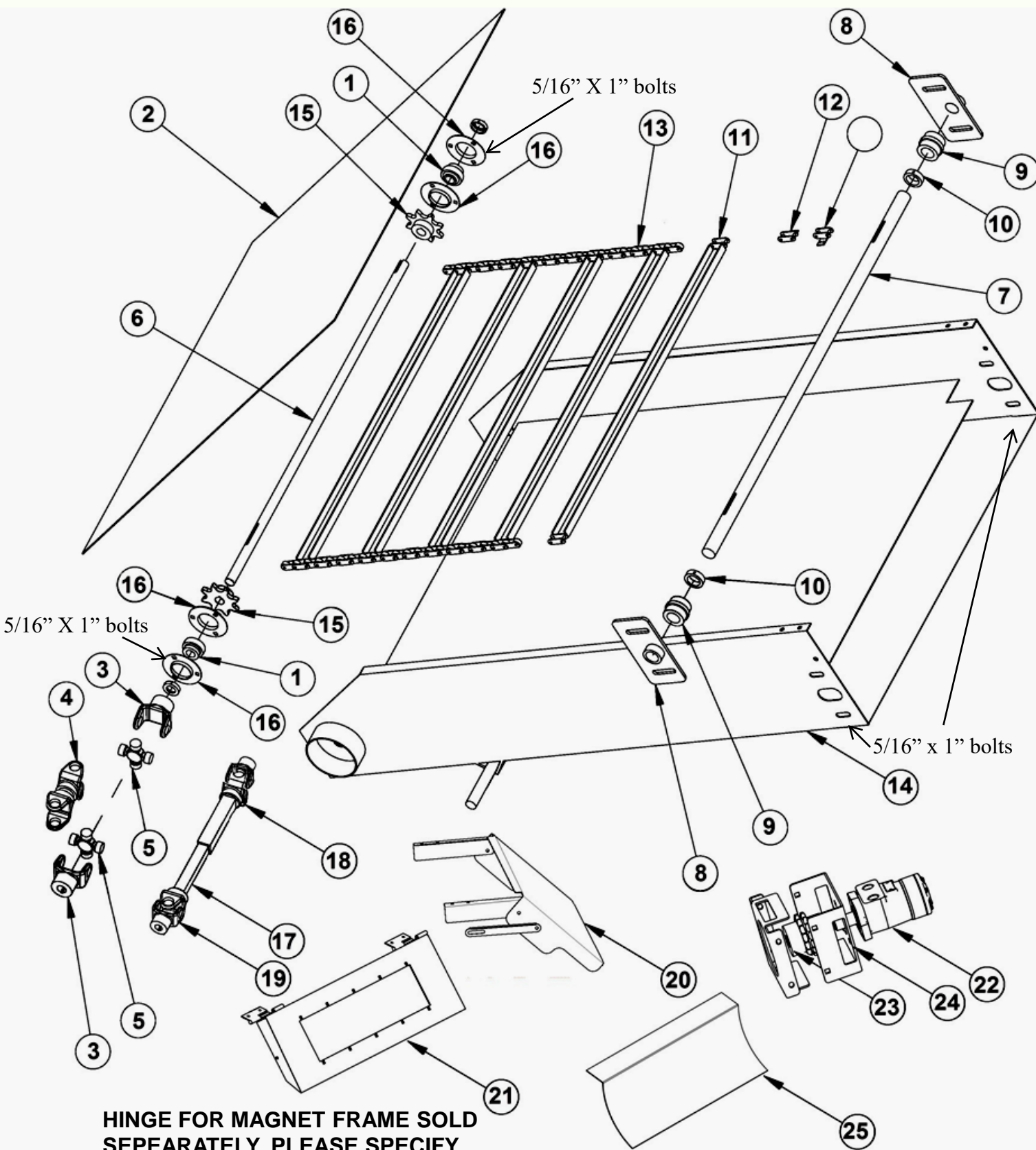


| ITEM | P / N      | DESCRIPTION   |
|------|------------|---|
| 1    | FA 208     | 8048 SPROCKET FOR USE WITH A QD SIZE E BUSHING. DURING 2013 AND 2014 SOME MIXERS WERE BUILT WITH A SPROCKET THAT USED A TAPERLOCK BUSHING. SPROCKET FAC245 AND BUSHING FAC245H. THESE ARE DISCONTINUED. |
| 2    | FA 340     | PLASTIC IDLER   |
| 3    | FA 102PB   | PILLOW BLOCK BEARING, 1-1/2"  |
| 4    | FA 103PB   | PILLOW BLOCK BEARING, 2-3/16"   |
| 5    | FA 104PB   | PILLOW BLOCK BEARING, 2-15/16"  |
| 6    | FA 206H    | 2517 TAPER LOCK BUSHING, 1-1/2"   |
| 7    | FA 206S    | 60BT54 SPROCKET, TAPER LOCK   |
| 8    | FA 207S    | 80B11 SPROCKET, THIS COMES AS A KIT AND INCLUDES ONE FA207LC (19) AND ONE FA207B (21)   |
| 9    | FA 212-SQR | SQUARE SPIDER SHIELD<br>EARLIER MACHINES USED A TEAR DROP SHAPED SHIELD THAT IS OBSOLETE. MOUNTING THIS PART WILL REQUIRE DRILLING 4 HOLES TO INSTALL.  |
| 10   | FA 212     | SPIDER, (IT IS RECOMMENDED TO REPLACE THE MOUNTING BOLTS)   |
|      | FA 212BLT  | BOLT FOR SPIDER GEAR AND 8048 SPROCKET  |
| 11   | FA 2108B   | QD E BUSHING, 2-3/16"   |
| 12   | FA 214-60R | #60 X 86.25" (116 rollers) with connector   |
| 13   | FA 214-80  | 81" 80 CHAIN, (82 ROLLERS)  |
| 14   | FA 403FS   | SHAFT, 1-1/2" X 13"   |
| 15   | FA 404FS   | SHAFT, 2-3/16" X 14"  |
| 16   | FA 406S    | 14 SERIES, 1-1/2" YOKE  |
| 17   | FA 407S    | 14 SERIES, YOKE TUBE WELD   |
| 18   | FA 408S    | 14 SERIES CROSS & BEARING KIT   |
| 19   | FA 207LC   | LOCKING COLLAR.   |
| 20   | FA 207B    | BUSHING 1-1/2" X 7/16" SPACER BETWEEN SPROCKETS   |
| 21   | FA 406CU   | COMPLETE DRIVE SHAFT WITH BOTH YOKES  |

SEE PAGE 9 FOR  
CONVERSION BETWEEN  
540 AND 1000 RPM

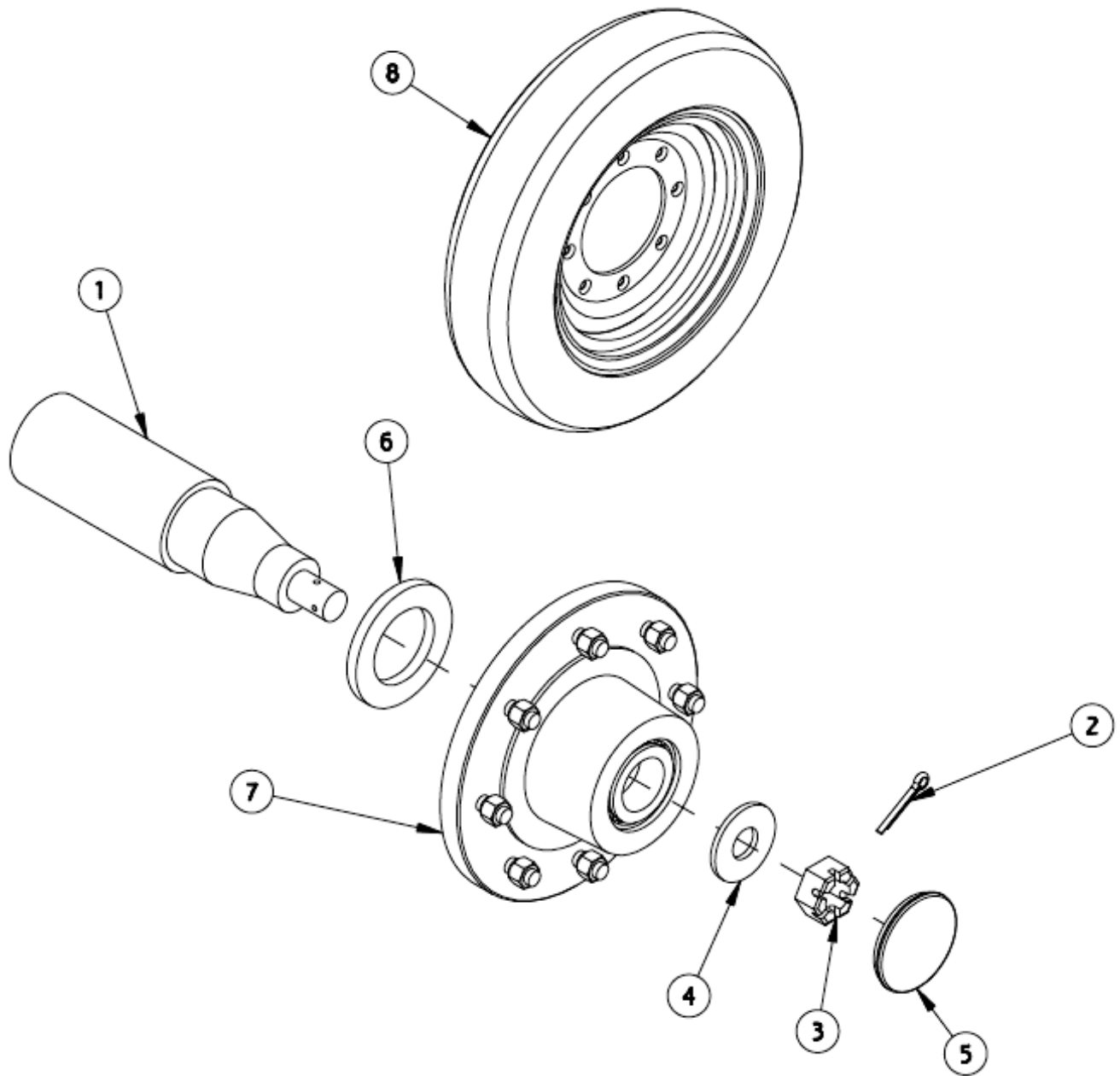


| ITEM | P / N                 | DESCRIPTION  |
|------|-----------------------|--|
| 1    | FA 107                | 7/8" BEARING   |
| 2    | FA 312                | 1C 12.0 PULLEY   |
| 3    | FA 313R               | #60 X 75.75" (102 rollers) chain and connector           |
| 4    | FA 326                | 1 GROOVE B BELT PULLEY, 6-1/2"                           |
| 5    | FA 327                | 1 GROOVE B BELT PULLEY, 7"                               |
| 6    | FA 331                | TIGHTENER ARM ASSEMBLY                                   |
| 7    | FA 709 L/R            | AUGER FOR MODEL 250, LEFT OR RIGHT HAND                  |
| 7    | FA 712 L/R            | AUGER FOR MODEL 340, LEFT OR RIGHT HAND                  |
| 7    | FA 715 L/R            | AUGER FOR MODEL 430, LEFT OR RIGHT HAND                  |
| -    | FA 714R               | AUGER FLIGHTING RIGHT (SOLD BY FOOT) 13' NEEDED ON A 430 |
| -    | FA 714L               | AUGER FLIGHTING LEFT (SOLD BY FOOT) 1/2' NEEDED ON A 430 |
| 8    | FA 101PB              | PILLOW BLOCK BEARING, 1-1/4"                             |
| 9    | FA 102FB-4            | 4 BOLT FLANGE BLOCK BEARING, 1-1/2"                      |
| 10   | FA 107-3F             | 3 BOLT FLANGETTE   |
| 11   | FA 205A (540)         | 60BT32 SPROCKET, TAPER LOCK (540 RPM)                    |
| 11   | FA 205A-10 (1000 RPM) | 60BT42 SPROCKET, TAPER LOCK (1000 RPM)                   |
| 12   | FA 205B               | 2012 TAPER LOCK BUSHING, 1-1/4"                          |
| 13   | FA 312B               | SF BUSHING, 1-1/4"                                       |
| 14   | FA 312FA              | SF BUSHING, 1-1/2"                                       |
| 15   | FA 326BU              | H BUSHING, 1-1/4"  |
| 16   | FA 330B               | SINGLE IDLER PULLEY, B BELT                              |
| 17   | FA 330C               | SINGLE IDLER PULLEY, C BELT                              |
| 18   | FA 331BU              | H BUSHING, 7/8"  |
| 19   | FA 331S               | SPRING, ELEVATOR DRIVE TIGHTENER                         |
| 20   | FA 361E               | ELEVATOR DRIVE BELT, B61                                 |
| ---  | FA 361EX              | ELEVATOR DRIVE BELT, EXTRA DUTY                          |
| 21   | FA 396A               | AUGER DRIVE BELT, CX 96                                  |
| 22   | FA 402A               | SHAFT, 1-1/4" X 10-1/2"                                  |
| 23   | FA 405E               | ELEVATOR DRIVE SHAFT, 7/8" X 11"                         |

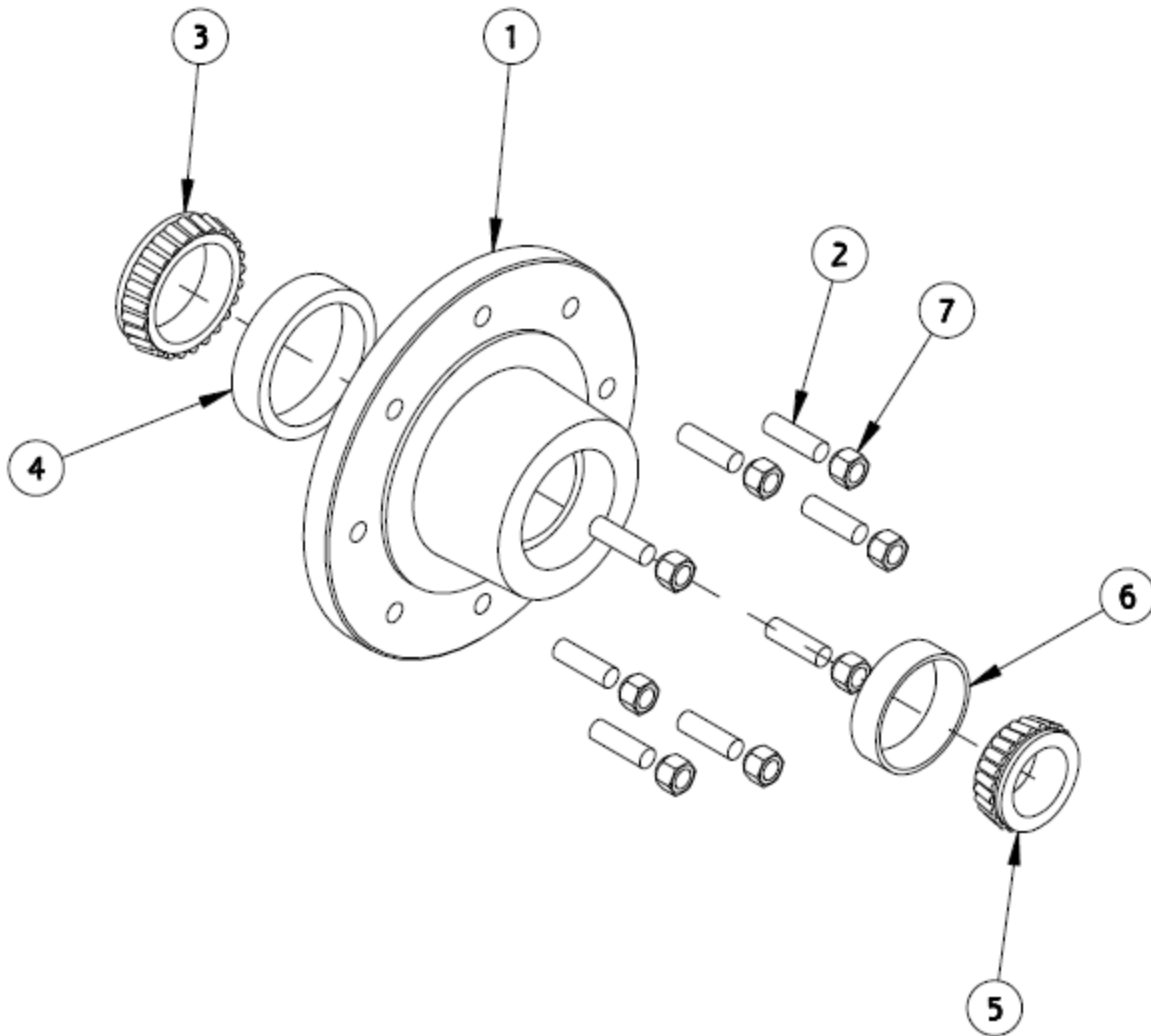


**HINGE FOR MAGNET FRAME SOLD SEPEARATELY. PLEASE SPECIFY LEFT OR RIGHT DISCHARGE WHEN ORDERING**

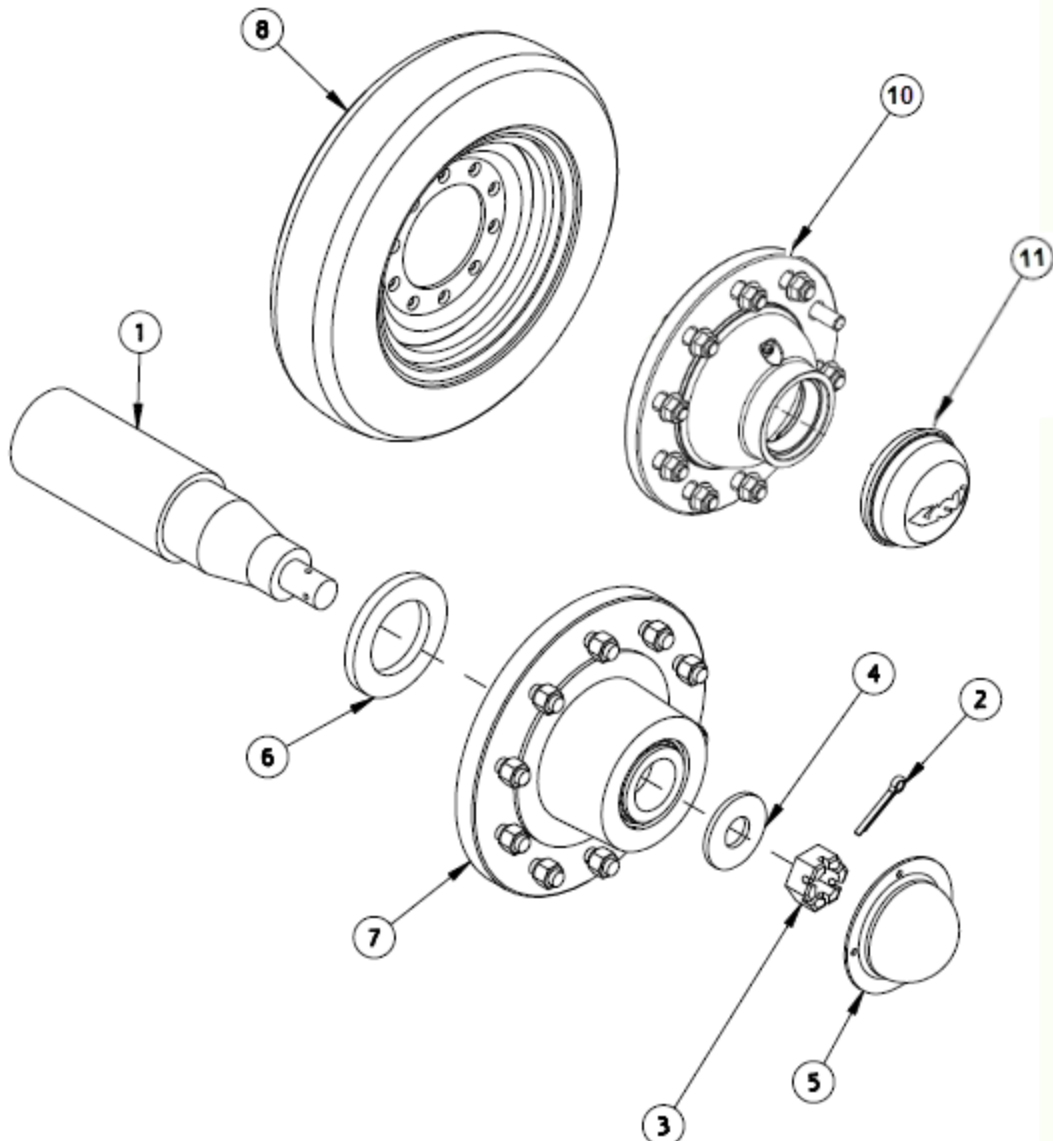
| ITEM | P / N     | DESCRIPTION   |
|------|-----------|---|
| 1    | FA 107    | 7/8" BEARING  |
| 2    | FA 350S   | STEEL UNLOADING DOOR  |
| 3    | FA 501    | 6 SERIES, 7/8" YOKE   |
| 4    | FA 502    | DOUBLE YOKE FOR MODEL 250   |
| 5    | FA 505    | 6 SERIES CROSS & BEARING KIT  |
| 6    | FA 510    | SHAFT, 7/8" X 41"   |
| 7    | FA 511    | SHAFT, 1" X 38"   |
| 8    | FA 512    | SHAFT MOUNTING PLATE, UPPER ELEVATOR  |
| 9    | FA 513    | ELEVATOR IDLER ROLL   |
| 10   | FA 514    | SET COLLAR, 1"  |
| 11   | FA 515    | CHAIN SLAT WITH LINKS   |
| 12   | FA 516    | CHAIN LINK, SINGLE W/PIN  |
| ---  | FA509CP   | CONNECTION PIN ONLY FOR CHAIN   |
| 13   | FA 523    | CHAIN, 3' ELEVATOR  |
| 13   | FA 524    | CHAIN, 4' ELEVATOR  |
| 13   | FA 525    | CHAIN, 5' ELEVATOR  |
| 14   | FA 533    | ELEVATOR WELDMENT AND SPROCKETS, 3' ELEVATOR  |
| 14   | FA 534    | ELEVATOR WELDMENT AND SPROCKETS, 4' ELEVATOR  |
| 14   | FA 535    | ELEVATOR WELDMENT AND SPROCKETS, 5' ELEVATOR  |
| 14   | FA 543    | COMPLETE ELEVATOR, 3' (WITH CHAIN AND ROLLERS)  |
| 14   | FA 544    | COMPLETE ELEVATOR, 4' (WITH CHAIN AND ROLLERS)  |
| 14   | FA 545    | COMPLETE ELEVATOR, 5' (WITH CHAIN AND ROLLERS)  |
| 15   | FA 762A   | 762 SPROCKET, 7/8" BORE   |
| 16   | FA 107-3F | 3 BOLT FLANGETTE  |
| 17   | FA 504CU  | ELEVATOR DRIVE SHAFT WITH BOTH YOKES, 430 & 340 FOR MODEL 340 CUT 5.5" FROM SHAFT AND TUBE. |
| 18   |           | Discontinued, use 17 above  |
| 19   |           | Discontinued, use 17 above  |
| 20   | FA 520EH  | ELEVATOR HOOD AND BRACKETS  |
| 21   | FA 748F   | MAGNET FRAME SHOWN WITH HINGES SOLD SEPERATELY  |
| 22   | FAC 509   | HYDRAULIC MOTOR FOR TRAILER MOUNT   |
| 23   | FAC 5230  | MOTOR COUPLER (BOTH SPROCKETS AND CHAIN)  |
| 24   | FA 518    | MOUNT FOR HYDRAULIC MOTOR ON 430/340 (WELD ON)  |
| 25   | FA 536ES  | ELEVATOR SADDLE   |



| ITEM | P / N    | DESCRIPTION                                     |
|------|----------|---|
| 1    | FA 600   | SPINDLE, 2 3/4" FOR MODELS 250 & 340            |
| 2    | FA 600K  | SPLIT KEY FOR MODELS 250 & 340                  |
| 3    | FA 600N  | SPINDLE NUT, FOR MODELS 250 & 340, 1" 14 THREAD |
| 4    | FA 600W  | SPINDLE WASHER FOR MODELS 250 & 340             |
| 5    | FA 601HC | HUB CAP FOR MODELS 250 & 340                    |
| 6    | FA 601SE | SEAL FOR MODELS 250 & 340                       |
| 7    | FA 602CA | COMPLETE HUB ASSEMBLY FOR MODELS 250 & 340      |
| 8    | FA 620WH | RIM, C8 x 20" x 8"                              |

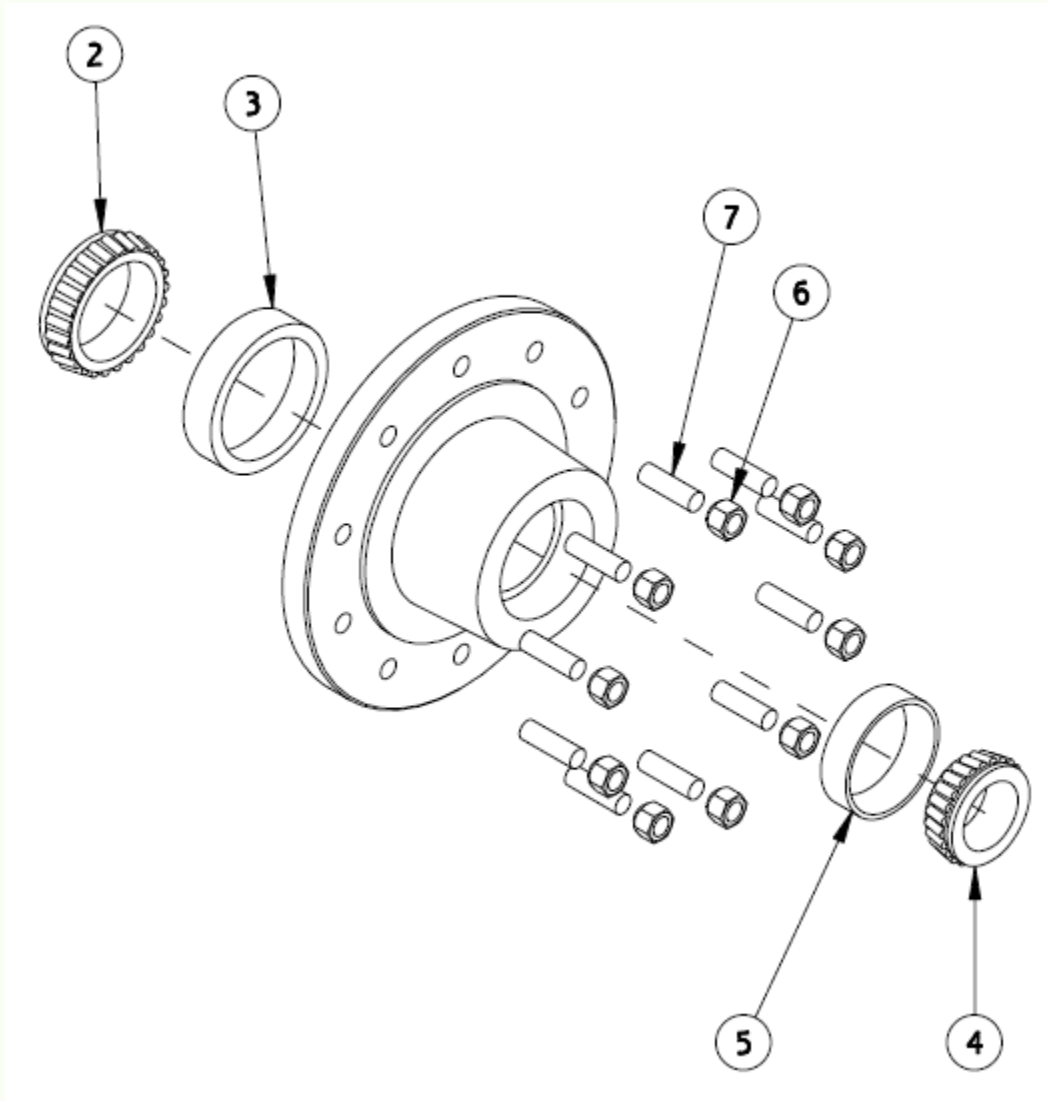


| ITEM | P / N    | DESCRIPTION                                 |
|------|----------|---|
| --   | FA 602CA | COMPLETE HUB ASSEMBLY FOR MODELS 250 & 340  |
| 1    | FA 601   | HUB, 8 ON 8 x 6 W/CUPS MODELS 250 & 340     |
| 2    | FA 601HB | HUB BOLTS (STUDS), 8 USED, MODELS 250 & 340 |
| 3    | FA 601IB | INNER CONE (BEARING) MODELS 250 & 340       |
| 4    | FA 601IR | INNER CUP (RACE) MODELS 250 & 340           |
| 5    | FA 601OB | OUTER CONE (BEARING) MODELS 250 & 340       |
| 6    | FA 601OR | OUTER CUP (RACE) MODELS 250 & 340           |
| 7    | FA 601WN | WHEEL NUT, 8 OF, MODELS 250 & 340           |



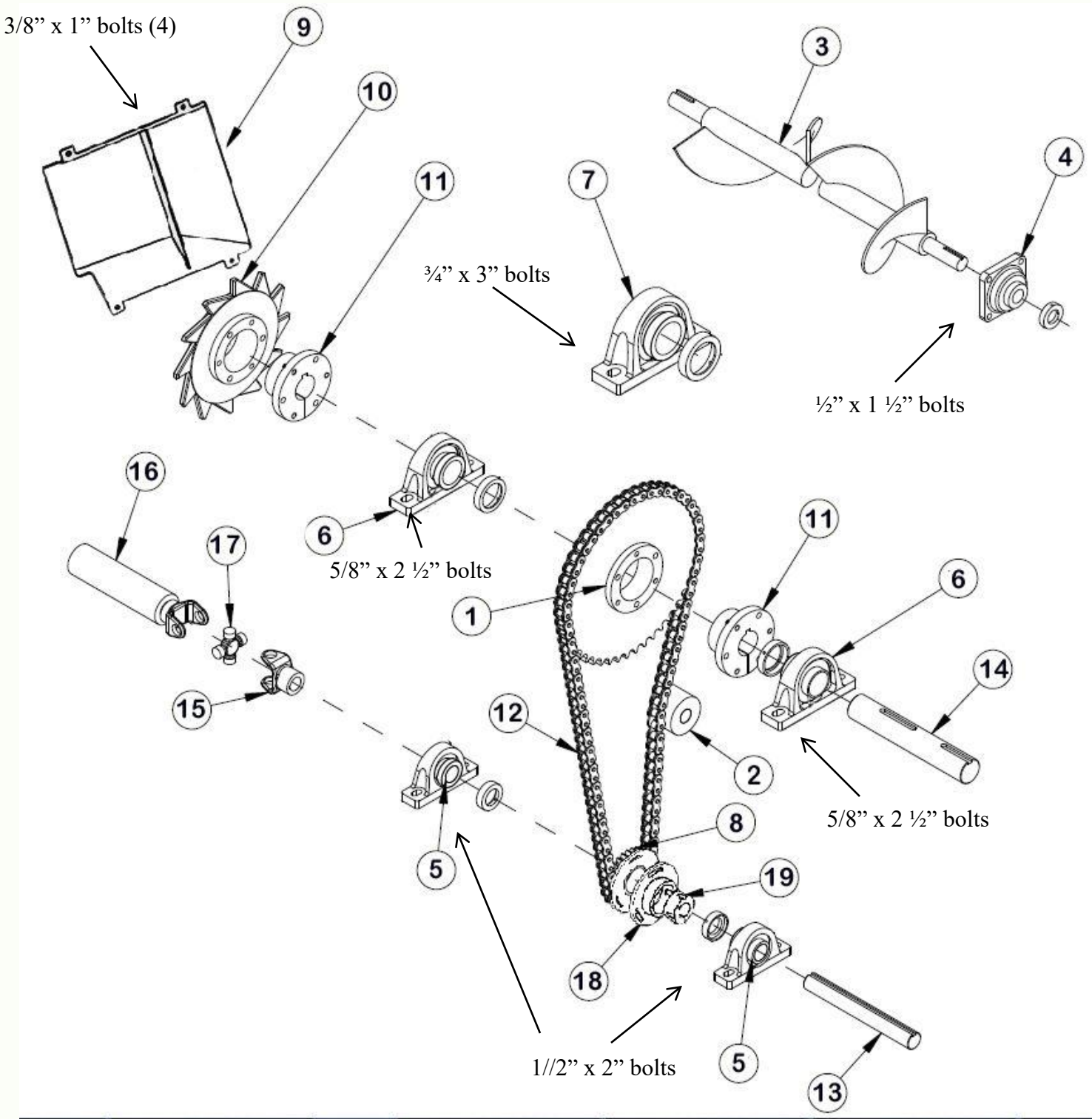
| ITEM | P / N     | DESCRIPTION                                       |
|------|-----------|---|
| 1    | FA 620    | SPINDLE , 430 WITH 10 BOLT RECTANGULAR AXLE       |
| 1    | FA623     | SPINDLE , 430 WITH 10 BOLT LATE 2013 ROUND AXLE   |
| 2    | FA 620K   | SPLIT KEY FOR MODEL 430 WITH 10 BOLT              |
| 3    | FA 620N   | SPINDLE NUT FOR MODEL 430 WITH 10 BOLT            |
| 4    | FA 620W   | SPINDLE WASHER FOR MODEL 430 WITH 10 BOLT         |
| 5    | FA 621HC  | HUB CAP , MODEL 430, 10 BOLT, SN < 2248 (bolt on) |
| 6    | FA 621SE  | SEAL FOR MODEL 430 WITH 10 BOLT                   |
| 7    | FA 622CA  | COMPLETE 10 BOLT HUB ASSM, MODEL 430 SN < 2248    |
| 8    | FA 622WH  | RIM, 13" x 22-1/2" x 10 x 11-1/4" x .871"         |
| 9    | FA 621GAS | HUB CAP GASKET                                    |
| 10   | FA622CA   | COMPLETE 10 BOLT HUB ASSM, MODEL 430 SN > 2247    |
| 11   | FA622HC   | HUB CAP, MODEL 430, 10 BOLT, SN > 2247 (no bolts) |



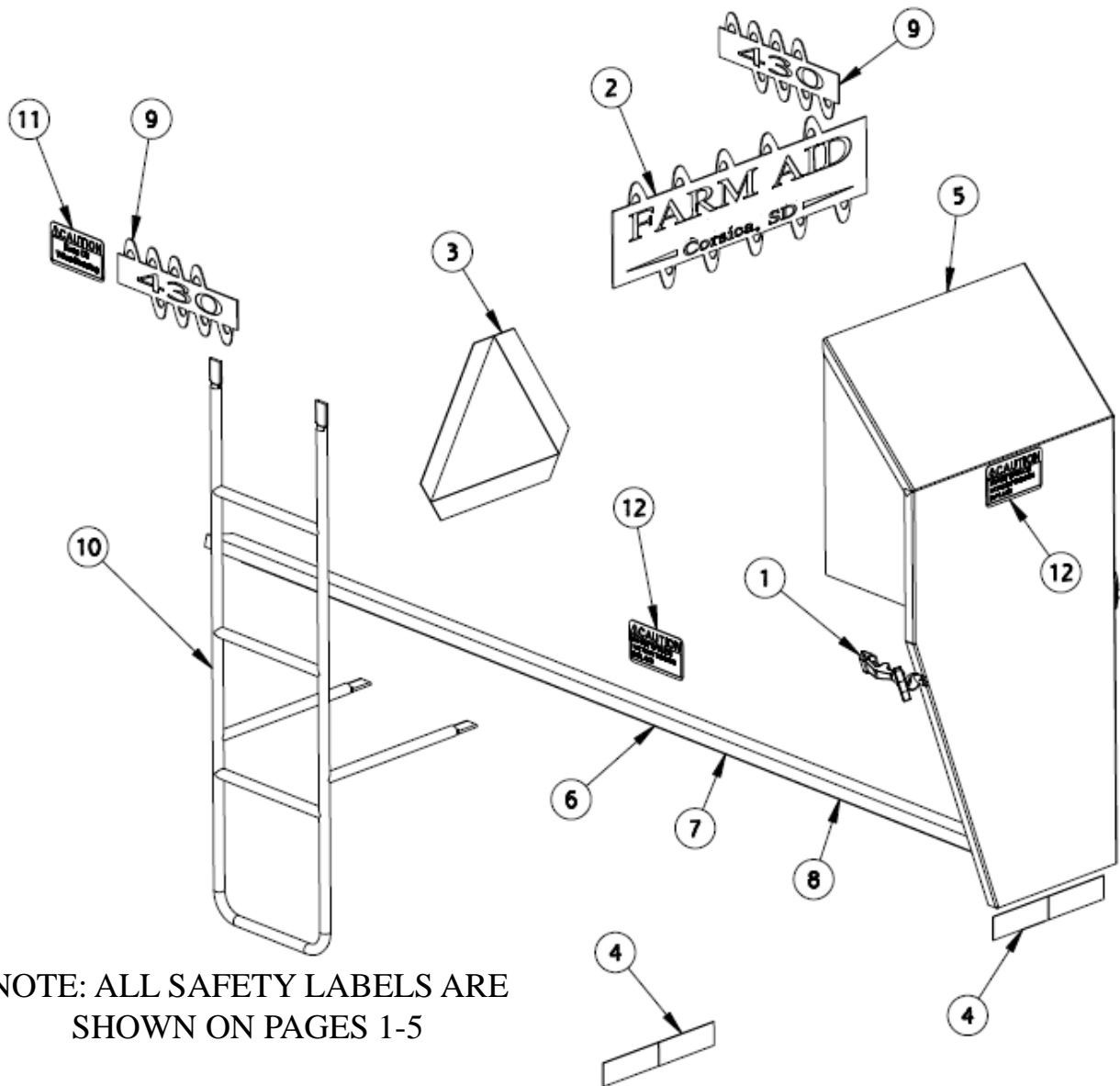


| ITEM | P / N      | DESCRIPTION   |
|------|------------|---|
| --   | FA622CA    | HUB ASSEMBLY, COMPLETE W/ SEAL                        |
| 2    | FA 621IB   | INNER CONE (BEARING) MODEL 430                        |
| 3    | FA 621IR   | INNER CUP (RACE) MODEL 430                            |
| 4    | FA 621OB   | OUTER CONE (BEARING) MODEL 430                        |
| 5    | FA 621OR   | OUTER CUP (RACE) MODEL 430                            |
| 6    | FA 621WN-C | WHEEL NUT, 10 OF, MODEL 430 (W/CHAMFER - EARLY STYLE) |
| 6    | FA 621WN   | WHEEL NUT, 10 OF, MODEL 430 (FLAT FACE)               |
| 7    | FA 622HB   | HUB BOLT MODEL 430                                    |

REAR DRIVE, RIGHT DISCHARGE



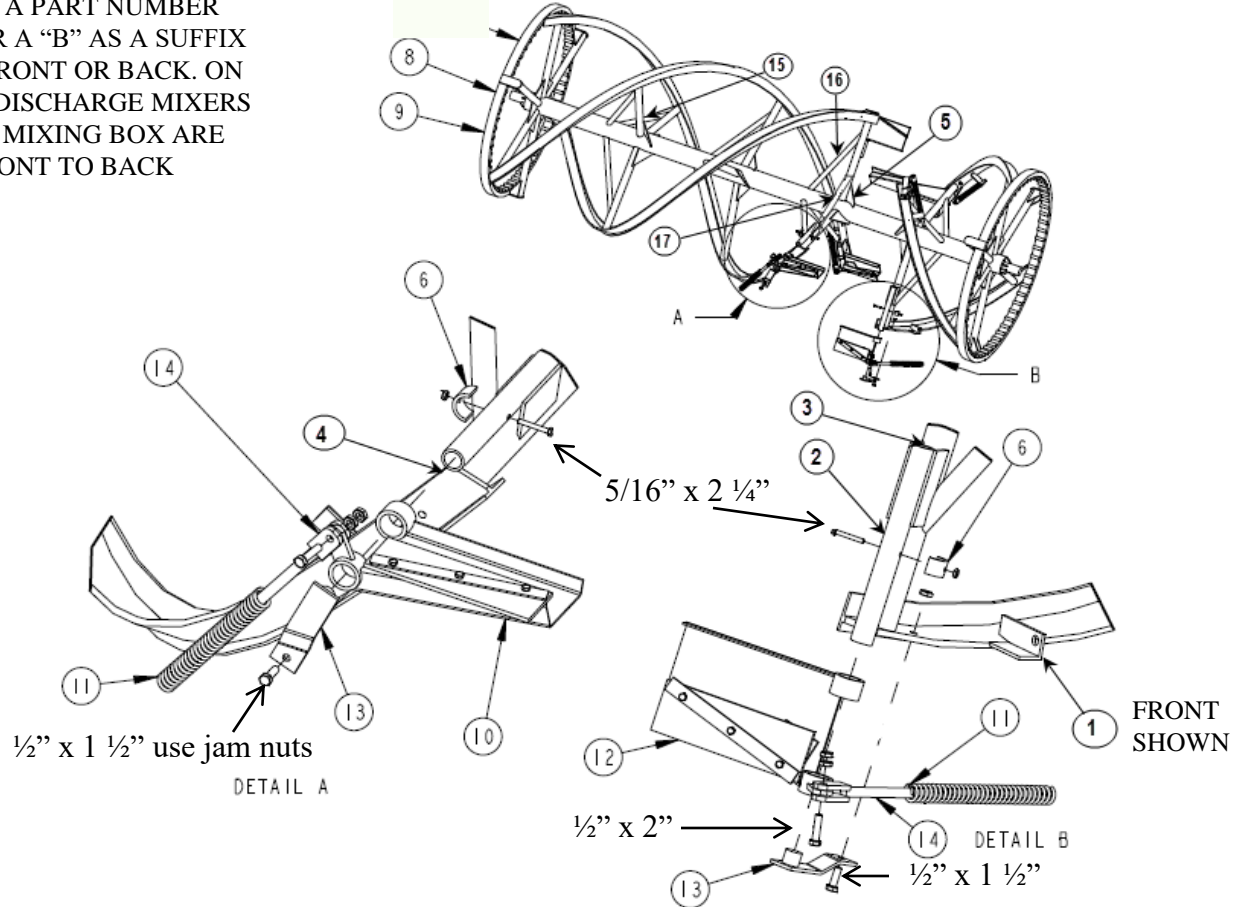
| ITEM | P / N      | DESCRIPTION   |
|------|------------|---|
| 1    | FA 208     | 8048 SPROCKET FOR USE WITH A QD SIZE E BUSHING. DURING 2013 AND 2014 SOME MIXERS WERE BUILT WITH A SPROCKET THAT USED A TAPERLOCK BUSHING. SPROCKET FAC245 AND BUSHING FAC245H. THESE ARE DISCONTINUED. |
| 2    | FA 340     | PLASTIC IDLER   |
| 3    | FA 709 L/R | AUGER FOR MODEL 250, SPECIFY LEFT OR RIGHT HAND   |
| 3    | FA 712 L/R | AUGER FOR MODEL 340, SPECIFY LEFT OR RIGHT HAND   |
| 3    | FA 715 L/R | AUGER FOR MODEL 430, SPECIFY LEFT OR RIGHT HAND   |
| 4    | FA 101FB-4 | 4 BOLT FLANGE BEARING, 1-1/4"   |
| 5    | FA 102PB   | PILLOW BLOCK BEARING, 1-1/2"  |
| 6    | FA 103PB   | PILLOW BLOCK BEARING, 2-3/16"   |
| 7    | FA 104PB   | PILLOW BLOCK BEARING , 2-15/16" (SPIRAL SUPPORT)  |
| 8    | FA 207TS   | 8011 TIMING SPROCKET  |
| 9    | FA 212SQR  | SQUARE SPIDER SHIELD<br>EARLIER MACHINES USED A TEAR DROP SHAPED SHIELD THAT IS OBSOLETE. MOUNTING THIS PART WILL REQUIRE DRILLING 4 HOLES TO INSTALL.  |
| 10   | FA 212     | SPIDER (It is recommended to replace the bolts with this part)  |
| 11   | FA 208B    | QD E BUSHING, 2-3/16"   |
| ---  | FA212BLT   | BOLT FOR SPIDER GEAR AND 8048 SPROCKET  |
| 12   | FA 214-80  | 81" 80 CHAIN (82 ROLLER)  |
| 13   | FA 403BS   | SHAFT, 1-1/2" X 12"   |
| 14   | FA 404BS   | SHAFT, 2-3/16" X 13"  |
| 15   | FA 406S    | 14 SERIES, 1-1/2" YOKE  |
| 16   | FA 407S    | 14 SERIES, YOKE TUBE WELD   |
| 17   | FA 408S    | 14 SERIES CROSS & BEARING KIT   |
| 18   | FA 203TP   | 8011 TIMING PLATE   |
| 19   | FA 203B    | 1610 X 1-1/2" TAPER LOCK BUSHING WITH AN OD=2-3/8"<br>MACHINES WITH A SOLID (NOT WELDED) TIMING PLATE USED AN FA207H - 2012 X 1-1/2" TAPERLOCK BUSHING WITH AN OD=2-3/4"                                |



NOTE: ALL SAFETY LABELS ARE SHOWN ON PAGES 1-5

| ITEM | P / N        | DESCRIPTION  |
|------|--------------|--|
| 1    | FA 001       | SHIELD TIE, COMPLETE (FA002 IS RUBBER TIE ONLY)          |
| 2    | FA 356       | DECAL, FARM AID EQUIPMENT                                |
| 3    | FA 357       | DECAL SLOW MOVING VEHICLE                                |
| 4    | FA359T       | DECAL REFLECTIVE   |
| 5    | FA 802       | SHIELD, REAR DRIVE, SPECIFY LEFT OR RIGHT HAND DISCHARGE |
| 6    | FA 8250      | GUARD DRIVELINE TO REAR, MODEL 250                       |
| 7    | FA 8340      | GUARD DRIVELINE TO REAR, MODEL 340                       |
| 8    | FA 8430      | GUARD DRIVELINE TO REAR, MODEL 430                       |
| 9    | FA 360-model | DECAL, SPECIFY MODEL (250, 340,430)                      |
| 10   | FA 090L      | LADDER   |
| 11   | FA 358A      | DECAL, "CAUTION: KEEP OFF WHEN RUNNING"                  |
| 12   | FA 358C      | DECAL, "CAUTION: DO NOT OPERATE WITHOUT GUARDS IN PLACE" |

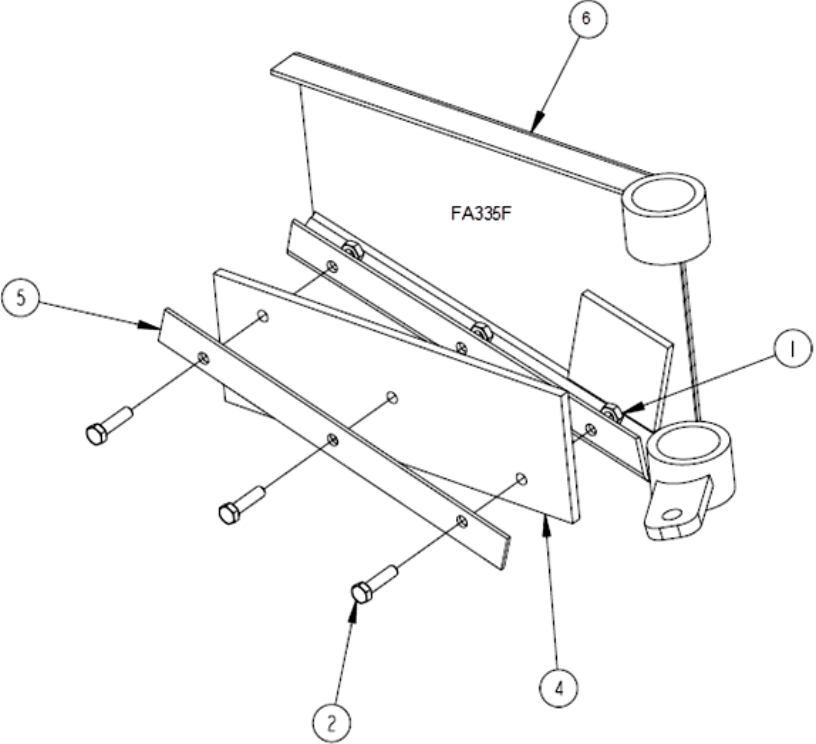
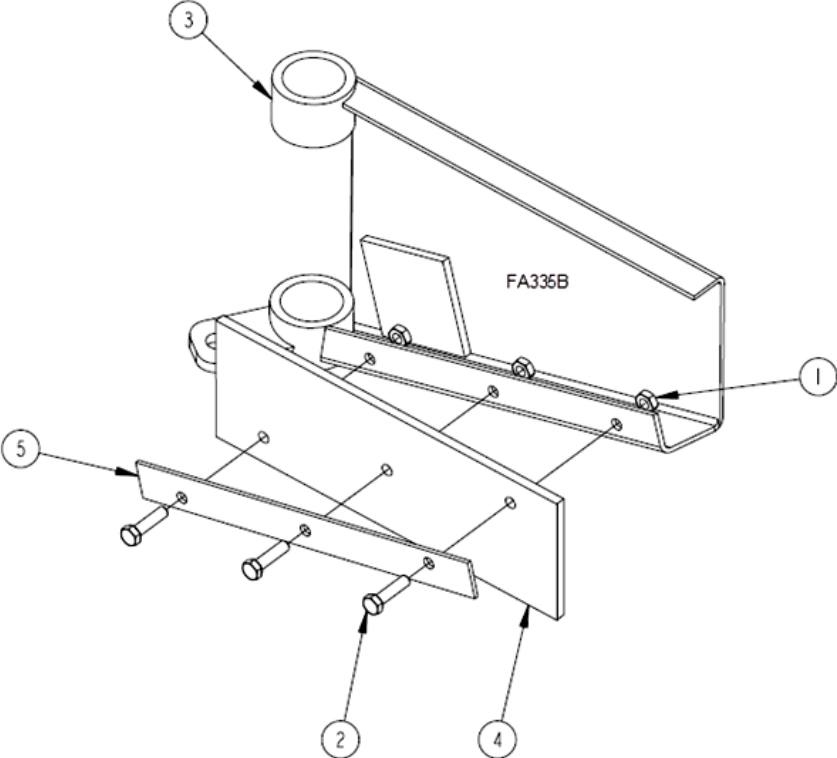
TYPICALLY IF A PART NUMBER HAS AN "F" OR A "B" AS A SUFFIX IT DENOTES FRONT OR BACK. ON RIGHT HAND DISCHARGE MIXERS PARTS IN THE MIXING BOX ARE REVERSED FRONT TO BACK



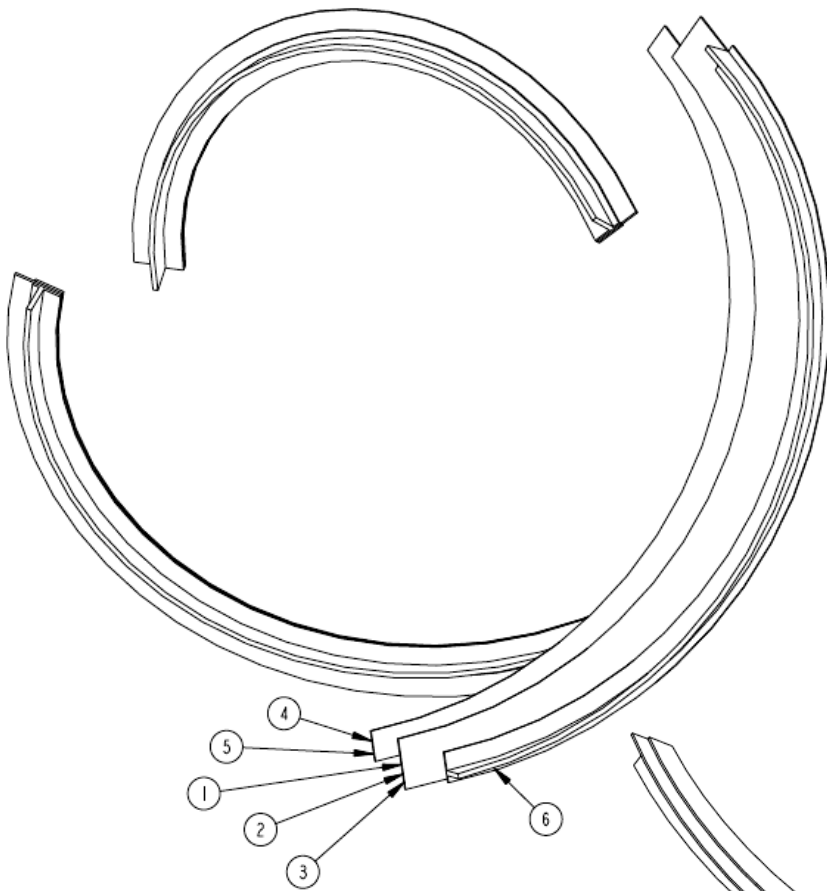
| ITEM | P / N                   | DESCRIPTION   |
|------|-------------------------|---|
| 1    | FA 335SRG               | SPRING ROD GUIDE  |
| 2    | FA 335P                 | KICKER MOUNTING PIPE WITH "FLAGS"   |
| 3    | FA 335PC                | KICKER MOUNTING PIPE CAP  |
| 4    | FA 335KS                | KICKER STOP   |
| 5    | FA 817                  | MAIN SPIRAL GUSSET  |
| 6    | FA 336                  | KICKER KEEPER   |
| 8    | FA822<br>FA824<br>FA825 | 250 SPIRAL SPECIFY LEFT OR RIGHT AND IF IT IS DRIVEN ON BOTH ENDS<br>340 SPIRAL SPECIFY LEFT OR RIGHT<br>430 SPIRAL SPECIFY LEFT OR RIGHT |
| 9    | END RING                | 3" CHANNEL PLUS ALL COGS AND WRAP ON THE OUTSIDE  |
| 10   | FA 335F                 | BACK KICKER 250-550 MODELS w/ RIGHT HAND DISCHARGE  |
| 11   | FA 332C                 | COMPRESSION SPRING  |
| 12   | FA 335B                 | FRONT KICKER 250-550 MODELS w/ RIGHT HAND DISCHARGE   |
| 13   | FA335KC                 | KICKER CAP  |
| 14   | FA 335SR                | KICKER SPRING ROD   |
| 15   | FA 820                  | 2" SPOKE  |
| 16   | FA 819                  | BRACE PIPE 1 1/4" x 27" (SPOKE TO CENTER PIPE)  |
| 17   | FA 819KP                | KICKER BRACE PIPE 1 1/4" x 24" (KICKER IPE BRACE)   |

RIGHT

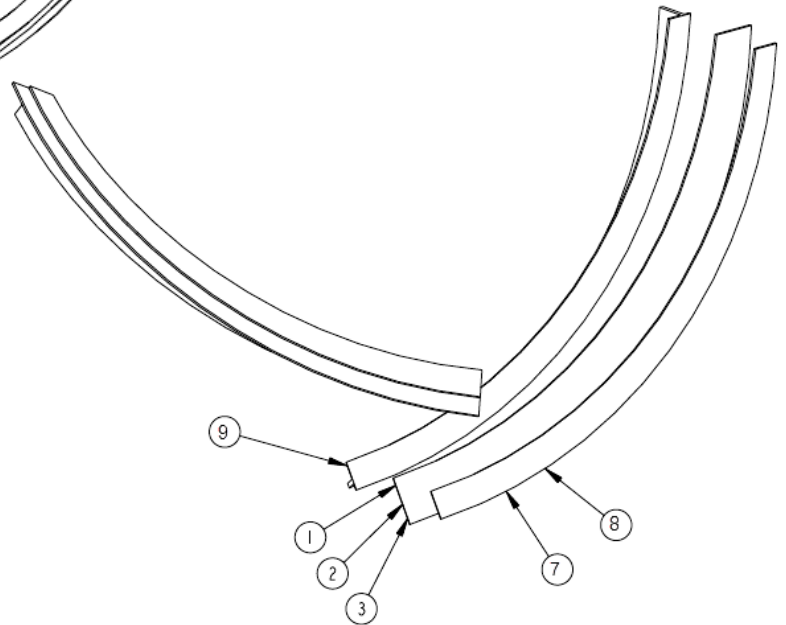
TYPICALLY IF A PART NUMBER HAS AN "F" OR A "B" AS A SUFFIX IT DENOTES FRONT OR BACK. BUT ON RIGHT HAND DISCHARGE MIXERS PARTS IN THE MIXING BOX ARE REVERSED FRONT TO BACK



| ITEM | PART NUMBER | DESCRIPTION                                  |
|------|-------------|--|
| 1    | -----       | 5/16 18NC HEX NUT                            |
| 2    | -----       | HEX HD BOLT, 5/16 18NC X 1.00                |
| 3    | FA 335B     | FRONT KICKER, COMPLETE W/BELTING, RIGHT HAND |
| 4    | FA 335KB    | KICKER BELT                                  |
| 5    | FA335KS     | BOLT STRAP, KICKER                           |
| 6    | FA 335F     | BACK KICKER, COMPLETE W/BELTING, RIGHT HAND  |



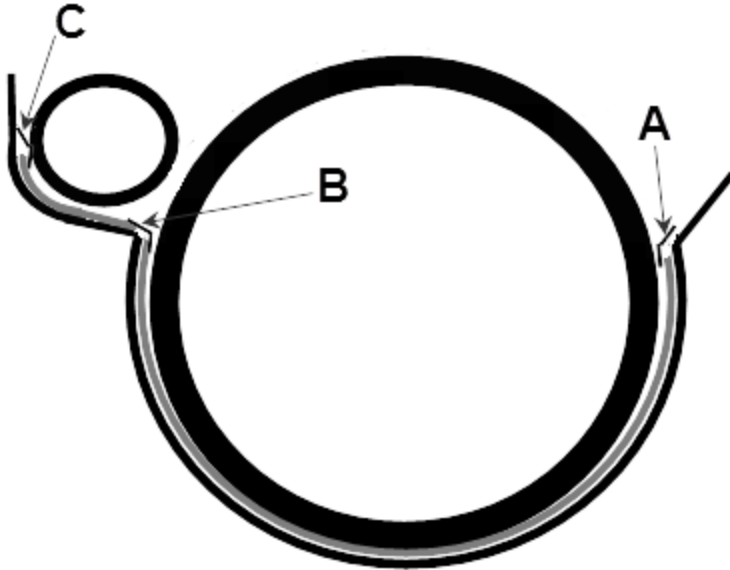
TYPICALLY IF A PART NUMBER HAS AN "F" OR A "B" AS A SUFFIX IT DENOTES FRONT OR BACK. ON RIGHT HAND DISCHARGE MIXERS PARTS IN THE MIXING BOX ARE REVERSED FRONT TO BACK



PLEASE SPECIFY IF THE PARTS WILL BE USED ON A LEFT OR RIGHT DISCHARGE MIXER

|                         |         |
|-------------------------|---------|
| 340 FRONT SPIRAL LENGTH | 5-1/2'  |
| 340 REAR SPIRAL LENGTH  | 14-1/2' |
| 430 FRONT SPIRAL LENGTH | 7'      |
| 430 REAR SPIRAL LENGTH  | 18'     |

| ITEM | P / N      | DESCRIPTION  |
|------|------------|--|
| 1    | FA 700B    | SWEEP CLEAN BELT, 250, uses up to (17) 5/16 X 1.5" bolts |
| 2    | FA 701B    | SWEEP CLEAN BELT, 340, uses up to (22) 5/16 X 1.5" bolts |
| 3    | FA 702B    | SWEEP CLEAN BELT, 430, uses up to (26) 5/16 X 1.5" bolts |
| 4    | FA 830BF   | FRONT SPIRAL FACE MATERIAL, BY FT, RT                    |
| 5    | FA 830BF-H | FRONT SPIRAL FACE MATERIAL W / HOLES, BY FT, RT          |
| 6    | FA 830BS   | FRONT SPIRAL SUPPORT MATERIAL, BY FT, RT                 |
| 7    | FA 830FF   | BACK SPIRAL FACE MATERIAL, BY FT,RT                      |
| 8    | FA 830FF-H | BACK SPIRAL FACE MATERIAL W / HOLES, BY FT,RT            |
| 9    | FA 830FS   | BACK SPIRAL SUPPORT MATERIAL, BY FT, RT                  |



| STRIP CHART |        |         |        |
|-------------|--------|---------|--------|
| MODEL       | A      | B       | C      |
| 430 front   | FA8510 | FA8610  | FA7520 |
| 430 middle  | FA7520 | FA8620* | FA7520 |
| 430 back    | FA8530 | FA8630  | FA8730 |
| 340 front   | FA8510 | FA8615  | FA7520 |
| 340 middle  | -----  | FA8625* | -----  |
| 340 back    | FA8510 | FA8630  | FA8720 |
| 250 front   | FA8510 | FA8618  | FA7520 |
| 250 middle  | -----  | FA8628  | -----  |
| 250 back    | FA8530 | FA8630  | FA8730 |

•\* Before ordering 430 or 340 “B” middle please measure the distance from the end of the auger trough to the two top rear bolts on this part. The first bolt hole should be 2” and the second one should be 17”. If the holes are not 2” and 17” please call the factory for a special part.

|  | P / N    | DESCRIPTION   |
|--|----------|---|
|  | FA731K   | 250 POLY FLOOR LINER KIT SPECIFY LEFT OR RIGHT                      |
|  | FA731AP  | 250 POLY AUGER LINER KIT SPECIFY LEFT OR RIGHT                      |
|  | FA731-1  | 250 FRONT POLY FLOOR LINER SPECIFY LEFT OR RIGHT                    |
|  | FA731-2  | 250 CENTER POLY FLOOR LINER SPECIFY LEFT OR RIGHT                   |
|  | FA731-3  | 250 BACK POLY FLOOR LINER SPECIFY LEFT OR RIGHT                     |
|  | FA732KR  | 340 POLY FLOOR LINER KIT  |
|  | FA732APR | 340 POLY AUGER LINER KIT  |
|  | FA732-1R | 340 FRONT POLY FLOOR LINER  |
|  | FA732-2R | 340 CENTER POLY FLOOR LINER   |
|  | FA732-3R | 340 BACK POLY FLOOR LINER   |
|  | FA733KR  | 430 POLY FLOOR LINER KIT  |
|  | FA733APR | 430 POLY AUGER LINER KIT  |
|  | FA733-1R | 430 FRONT POLY FLOOR LINER  |
|  | FA733-2R | 430 2ND POLY FLOOR LINER  |
|  | FA733-3R | 430 3RD POLY FLOOR LINER  |
|  | FA733-4R | 430 BACK POLY FLOOR LINER   |
|  | FA757    | CARRIAGE BOLT (250-Qt 50; 340-Qt 50; 430-Qt 58---40 for floor only) |
|  | FA756B   | ELEVATOR BOLT (250-Qt 53; 340-Qt 53; 430-Qt 64)                     |
|  | FA754    | TORX SCREW 1/4 X 1-1/2 (250-Qt 5; 340-Qt 5; 430-Qt 6)               |